











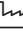


Operating and Installation Instructions Freezer



To prevent accidents and machine damage, read these instructions **before** installation or use.

Contents

IMPORTANT SAFETY INSTRUCTIONS	5
Caring for the environment	14
Installation information	15
Installation location	15
Climate class	16
Installation notes	16
Load-bearing capacity of the niche floor	16
Door hinging	16
Adjoining cabinetry/units	16
Ventilation	17
Specifications for the plumbed water connection	17
Side-by-side	18
Installation dimensions	19
Dimensions when the appliance door is open (opening angle 115°)	23
Dimensions of the cabinet front	26
Building in the appliance	29
Before starting	29
Tools required	29
Weight of cabinet front	30
Aligning the installation niche	30
Checking the installation space	31
Before installation	31
Preparing the installation niche	32
Pushing the appliance into the niche	35
Aligning the appliance	36
Securing the appliance in the niche	39
Preparing the cabinet fronts	40
Securing and aligning the cabinet front	43
Securing the covers	49
Securing the toe-kick and the toe-kick cover	51
Electrical connection	52
Water connection	54
Information on the fresh water connection	54
Preparing the plumbed water connection	55
Fitting the water hose to the appliance	56
How to save energy	58

Guide to the appliance	60
F 2411 Vi	60
F 28x1 Vi, F 29x1 Vi.....	61
Main screen	62
Settings mode 	62
Symbols in settings mode 	63
Accessories	64
Accessories supplied	64
Optional accessories.....	64
Before first use	65
Before first use	65
Using the appliance.....	65
Starting up for the first time	66
Switching on and off	67
Switching on the appliance.....	67
Switching off the appliance.....	67
Turning off for longer periods of time	68
Selecting additional settings	69
Switching Keypad Lock on or off  / 	69
Switching Eco Mode on or off 	69
Performing a Self Test 	70
Switching on Door Assistant 	71
Switching off Door Assistant 	72
Setting up Miele@home 	73
Switching off Demo Mode 	77
Resetting the settings to their default settings 	77
Switching Sabbath Mode  On/Off.....	78
Switching on, switching off or resetting Water Filter Display 	79
The correct temperature	81
Setting the temperature.....	81
Temperature range	81
Temperature and door alarm	83
Using SuperFrost	84
Adjusting the interior fittings	85
Moving the shelves in the appliance door.....	85
Moving the adjustable shelves	85
Removing the shelf above the Ice Maker	86

Contents

Removing the freezer baskets.....	86
Removing the dividing panel (depending on the model).....	87
Removing the ice cube tray.....	87
Freezing and storing food.....	89
Maximum freezing capacity	89
What happens when you freeze fresh food?.....	89
Storing frozen food.....	89
Home freezing	90
Placing food in the Freezer Zone.....	91
Making ice cubes	93
Automatic defrosting	95
Cleaning and care	96
Cleaning agents.....	96
Before cleaning the appliance.....	97
Interior and accessories	97
Cleaning the door seal	98
Cleaning the ventilation grilles.....	98
After cleaning	98
Frequently Asked Questions	99
Causes of noises	109
Water filter.....	110
Changing the water filter	111
Using an external water filter.....	112
Lead-free certificate	114
Technical Service.....	115
Contact in case of fault	115
Warranty	115
Declaration of conformity.....	116
Copyright and licenses	117

IMPORTANT SAFETY INSTRUCTIONS

This appliance complies with all statutory safety requirements. Please note that inappropriate use can lead to personal injury and damage to property.

To avoid the risk of accidents and damage to the appliance, please read these instructions carefully before using it for the first time. They contain important notes on installation, safety, use and maintenance.

Miele cannot be held liable for non-compliance with these instructions.

Keep these instructions in a safe place and ensure that new users are familiar with the contents. Pass them on to any future owner.



Danger of injury!

This appliance is very heavy and can tip forwards when the door is open.

Keep the appliance door shut until the appliance has been built in and secured in its housing in accordance with the operating and installation instructions.

Appropriate use

- ▶ This appliance is intended for use in domestic households and similar residential environments such as
 - staff kitchen areas in shops, offices and other working environments
 - farm houses and by clients in hotels, motels and other residential type environments
 - bed and breakfast type environments
 - catering and similar non-retail applications.

This appliance is not intended for use outdoors, in damp environments or in places exposed to rain.

IMPORTANT SAFETY INSTRUCTIONS

- ▶ This appliance is intended exclusively for domestic use to store deep-frozen food, freeze fresh food, and make ice. Any other usage is at the owner's risk and could be dangerous.
- ▶ This appliance is not suitable for storing and keeping cool medicines, blood plasma, laboratory preparations or other such materials or products. Incorrect use of the appliance for such purposes can cause deterioration of the items stored. The appliance is not suitable for use in areas where there is a risk of explosion. Miele cannot be held liable for damage resulting from improper or incorrect use of the appliance.
- ▶ Persons (including children) which lack physical, sensory or mental abilities or experience with the machine should not use it without supervision or instruction by a responsible person.

Safety with children

- ▶ To reduce the risk of injury, do not allow children to play in, on or near the appliance.
- ▶ The door hinges can cause injury. Keep children well away at all times.
- ▶ Ensure that any packing material is disposed of safely and kept out of the reach of children. DANGER of suffocation!

Technical safety

- ▶ The refrigerant system is tested for leaks. This appliance complies with statutory safety requirements.
- ▶ To avoid the risk of damage to the appliance, make sure that the connection data (fuse rating, frequency and voltage) on the data plate corresponds to the household supply. Check that this is the case before connecting the appliance. Consult a qualified electrician if in any doubt.

IMPORTANT SAFETY INSTRUCTIONS

- ▶ The electrical safety of the appliance can only be guaranteed when correctly grounded. It is essential that this standard safety requirement is met. If in any doubt please have the electrical installation tested by a qualified electrician.
- ▶ Reliable and safe operation of this appliance can only be assured if it has been connected to the electricity supply.
- ▶ The outlet must not be concealed behind the appliance and must be easily accessible so that the appliance can be quickly disconnected from the electrical supply in case of an emergency.
- ▶ If the power cord is damaged, it must be replaced by a Miele authorized technician in order to protect the user from harm.
- ▶ The electrical outlet must be properly grounded.
- ▶ Do not connect the appliance to the electrical supply with a power bar or extension cord. These are a fire hazard and do not guarantee the required safety of the appliance.
- ▶ If moisture gets into electrical components or into the power cord, it could cause a short circuit. Therefore, do not operate the machine in areas where there may be moisture or splashing water (e.g., garages, laundry rooms).
- ▶ This appliance must not be installed and operated in mobile installations (e.g. on a ship).
- ▶ Do not use a damaged appliance. It could be dangerous. Check the appliance for visible signs of damage.
- ▶ For safety reasons, this appliance may only be used after it has been built in.
- ▶ The machine must be disconnected from the power supply during installation, maintenance, and repair work, and installation work on the fresh water connection. The machine is only completely isolated from the power supply when:
 - the fuses have been switched off, or

IMPORTANT SAFETY INSTRUCTIONS

- the circuit breaker has been removed completely, or
 - the power cord has been unplugged. Pull on the plug and not on the power cord when disconnecting it from the power supply.
- ▶ Unauthorized installation, maintenance, and repairs, or a faulty fresh water connection can cause considerable danger for the user. Installation, maintenance, and repairs, installation work on the fresh water connection, and all repairs on the ice/water outlet must only ever be carried out by a Miele authorized technician.
- ▶ Any manufacturer's warranty will be void if the appliance is not repaired by a Miele approved service technician.
- ▶ Defective components should only be replaced by Miele original parts. Only with these parts can the manufacturer guarantee the safety of the appliance.
- ▶ Miele cannot be held liable for damage caused by a faulty connection to the fresh water supply.
- ▶ The ice cube maker must only be connected to a cold water line.
- ▶ DANGER of injury! Never tamper with the movable components on the ice cube maker or the element on the ice cube maker.

Correct use

- ▶ The appliance is designed for use within a certain climate range (ambient temperatures), and should not be used outside this range. The climate range for your appliance is stated on the data plate inside the appliance. Installing it in a room with too low an ambient temperature, e.g. a garage, will lead to the appliance switching off for longer periods so that it cannot maintain the required temperature.
- ▶ WARNING! DANGER of overheating! Do not cover or block the air vents. This can impair the efficiency of the appliance, increase the power consumption and cause damage to the appliance.

IMPORTANT SAFETY INSTRUCTIONS

- ▶ If storing food which contains a lot of fat or oil in the appliance, make sure that it does not come into contact with plastic components as this could cause stress cracks or break the plastic.
- ▶ Do not store explosive materials in the appliance or any products containing propellants (e.g. spray cans). Electrical components could cause flammable vapors to ignite.
DANGER of fire and explosion.
- ▶ Do not operate any electrical equipment (e.g. an electric ice cream maker) inside the appliance.
DANGER of sparking and explosion.
- ▶ Do not store cans or bottles containing carbonated drinks or liquids which could freeze in the freezer. The cans or bottles could explode.
DANGER of injury and damage to the appliance.
- ▶ When cooling drinks quickly in the freezer, make sure bottles are not left in for more than one hour; otherwise they could burst, causing injury or damage.
- ▶ Never handle frozen food or the metal parts of the appliance with wet hands. Your hands may freeze to the frozen food or to the metal.
DANGER of frost burn!
- ▶ Do not take ice cubes out with your bare hands and never place ice cubes or popsicles in your mouth straight from the freezer section. The very low temperature of the frozen ice or popsicles can cause frost burn to the lips and tongue. DANGER of injury.
- ▶ Do not refreeze partially or fully defrosted food. Consume defrosted food as soon as possible, as it will lose its nutritional value and spoil if left for too long. Defrosted food may only be refrozen after it has been cooked.

IMPORTANT SAFETY INSTRUCTIONS

- ▶ When eating stored food, there is a danger of food poisoning. Storage times will depend on several factors, including the freshness and quality of the food, as well as the temperature at which it is stored. Observe the manufacturer's "use-by" dates and storage instructions.
- ▶ Use only genuine original Miele parts. If parts or accessories from other manufacturers are used, the warranty may become invalid.

IMPORTANT SAFETY INSTRUCTIONS

Cleaning and maintenance

- ▶ Do not use any oil or grease on the door seals. They can cause the seals to deteriorate over time.
- ▶ Never use a steam cleaner to clean the appliance. The steam can reach the electrical components and cause a short circuit.
- ▶ Sharp edged or pointed objects will damage the evaporator, causing irreversible damage to the appliance. Do not use sharp edged or pointed objects to
 - remove frost or ice,
 - separate frozen foods or remove ice trays.
- ▶ Never place electric heaters or candles in the appliance to defrost it. These can damage the plastic parts.
- ▶ Do not use defrosting sprays or de-icers, as they could contain substances which could damage the plastic parts or which might cause the build-up of gases and pose a danger to health.

IMPORTANT SAFETY INSTRUCTIONS

Transport

- ▶ To avoid damage to the appliance, always transport it upright and in its packaging.
- ▶ **DANGER** of injury and damage. The appliance is very heavy and must be transported by two people.

IMPORTANT SAFETY INSTRUCTIONS

Disposal of your old appliance

- ▶ Children could become trapped in the machine and could suffocate.
 - Remove the machine doors.
 - Remove the drawers.
 - Leave the adjustable shelves in the machine so children cannot climb inside.
- ▶ DANGER of electric shock!
 - Cut the plug off the power cord.
 - Cut the power cord off the old appliance.
- ▶ Dispose of them separately from the appliance.
- ▶ Ensure that the appliance is not stored in the vicinity of gasoline or inflammable gases and liquids during and after disposal.
- ▶ Make sure that the coolant pipework is not damaged during disposal to avoid uncontrolled leakage of oil and coolant (see data plate for coolant type).
- ▶ Splashes of coolant can cause damage to the eyes. Be careful not to damage any part of the pipework while awaiting disposal, e.g. by
 - puncturing the coolant channels in the evaporator,
 - kinking any pipework,
 - scratching the surface coating.

Caring for the environment

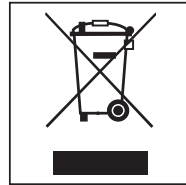
Disposal of packaging material

The packaging is designed to protect the appliance from damage during transportation. The packaging materials used are selected from materials which are environmentally friendly for disposal and should be recycled.

Ensure that any plastic wrappings, bags, etc. are disposed of safely and kept out of the reach of children. Return the packaging to your dealer.

Disposal of your old appliance

Electrical and electronic appliances contain valuable materials. They also contain certain substances, compounds and components which were essential for the proper functioning and safe use of the equipment. Handling these materials improperly by disposing of them in your household waste can be harmful to your health and the environment. Therefore, please do not dispose of your old appliance with regular household waste and follow local regulations on proper disposal.



Consult with local authorities, dealers or Miele in order to dispose of and recycle electrical and electronic appliances. Miele assumes no responsibility for deleting any personal data left on the appliance being disposed.

Take care not to damage the pipework at the back of your appliance before or during transportation to an authorized, environmentally friendly collection depot.

This way, coolant in the pipework and oil in the compressor will be contained, and will not leak into the environment.

Please ensure that your old appliance does not pose a danger to children while being stored prior to disposal. See "IMPORTANT SAFETY INSTRUCTIONS" for more information.



Risk of injury and damage.

This appliance must be built in, otherwise it could tip over.

Keep the appliance door(s) shut until the appliance has been built in and secured in its housing in accordance with the operating and installation instructions.



Fire hazard and risk of damage.

The appliance must not be installed underneath a cooktop.

If installation near a heat source is unavoidable, observe the following minimum distances between the appliance and the heat source:

- At least 1 1/4" (3 cm) to electric or gas stoves
- At least 11 3/4" (30 cm) to oil or coal-based stoves

If it is not possible to observe these minimum distances, an insulation plate must be installed between the appliance and the heat source.

Installation location

This appliance should be installed in a dry, well-ventilated room.

When deciding where to install your appliance, please bear in mind that the energy consumption will increase if installed near to a heater, a cooker, or other appliance that gives off heat. Direct sunlight should also be avoided. The higher the room temperature, the longer the compressor has to run and the higher the energy consumption is.

When installing the appliance, please note:

- The electrical outlet must be easily accessible in an emergency and not concealed behind the appliance.
- The plug and power cord must not touch the back of the appliance as they could be damaged by vibrations from the appliance.
- Do not plug other appliances into electrical outlets behind this appliance.

Installation information

Climate class

The appliance is designed for use within a certain climate range (ambient temperatures) and should not be used outside this range. The climate range of the appliance is stated on the data plate inside the appliance.

Climate class	Room temperature
SN	50°F to 90°F / 10°C to 32°C
N	60°F to 90°F / 16°C to 32°C
ST	60°F to 100°F / 16°C to 38°C
T	60°F to 109°F / 16°C to 43°C

Operating in a room which is too cold will cause the compressor to turn off for too long, causing the internal temperature in the appliance to rise, resulting in damage.

 Risk of damage.

In environments with high humidity, condensation may appear on the external surfaces of the appliance. This condensate can cause corrosion on external appliance panels.

To prevent this, it is advisable to install the appliance in a dry and/or air-conditioned room with sufficient ventilation.

After installation, make sure that the appliance door closes properly, that the specified ventilation gaps are adhered to, and that the appliance is installed in accordance with these installation instructions.

Installation notes

Load-bearing capacity of the niche floor

The floor of the space where the appliance is to be installed must be flat and level.

It must be made from strong, rigid material.

The appliance is extremely heavy when fully loaded, and the floor it stands on must be able to bear its weight. If necessary, seek the advice of an architect or structural engineer.

When fully loaded, the weight of the appliance is about:

F 2411 Vi	575 lbs (261 kg)
F 2801 Vi, F 2811 Vi	811 lbs (368 kg)
F 2901 Vi, F 2911 Vi	939 lbs (426 kg)

Door hinging

The appliance is supplied with a fixed hinge. If you need to change the door hinging to the other side, please contact the Miele Technical Service.

On no account should you attempt to change the door hinging yourself.

Adjoining cabinetry/units

The appliance is screwed to the adjoining cabinetry/units to the side and above. For this reason, it is essential that all cabinets/units are fixed to the ground and/or wall.

Ventilation



WARNING! Risk of fire!

Operation of the appliance is limited. Keep the required ventilation gaps free from obstruction.

Noncompliance with the specified dimensions for the ventilation grille will cause the compressor to turn on more often and run for longer periods.

This causes increased energy consumption and an increased compressor operating temperature, which can result in damage to the compressor.

Do not block the ventilation gaps. They must also be cleaned on a regular basis to remove dust.

Specifications for the plumbed water connection

- The machine may only be connected to the plumbed water connection by qualified technicians.
- Connection to the household water supply must comply with the applicable regulations in the country in which the machine is being installed. All units and systems used to supply water to the machine must also comply with the applicable regulations in the respective country.
- The water quality must comply with the requirements for drinking water in the country in which the machine is being operated.
- The water pressure must be between 29 and 116 psi (2 and 8 bar).
- The appliance is only suitable for connection to a cold water line.
- The appliance may only be connected directly to a fresh water supply to ensure that water is circulated in the cold water line.
- A shut-off valve must be provided between the water line and the water supply of the building to ensure that the water supply can be cut off if necessary.
- Make sure that the shut-off valve is still accessible after the appliance has been installed.

Installation information

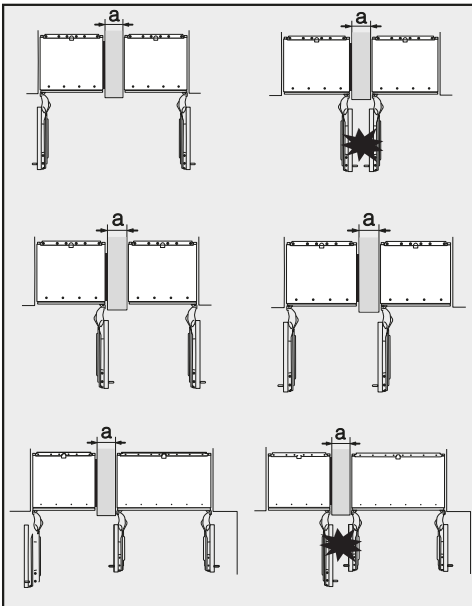
Side-by-side

This appliance can be installed side-by-side with another refrigeration appliance. The following overview will show you which side-by-side options you have with your appliance:

A side-by-side merging kit is required for this. This is available from your Miele dealer or Miele Technical Service.

Instructions for installing appliances side-by-side can be found in the side-by-side merging kit instruction manual.

... with partition wall



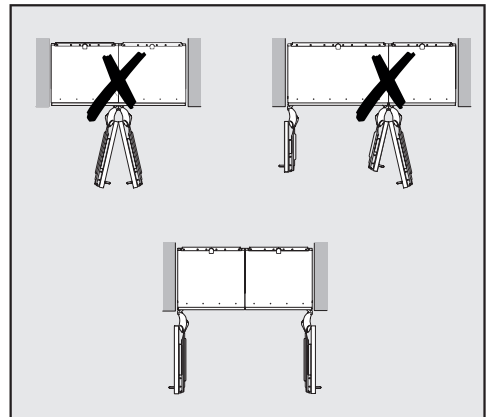
The wall **a** between the side-by-side appliances must be **at least 5/8" (16 mm)** thick.

Each appliance must be built into its own niche using the installation parts supplied.

If the partition wall **a** is **narrower than 6 5/16" (160 mm)**, you need the heating mat from the side-by-side merging kit to prevent condensation from forming and any resulting damage.

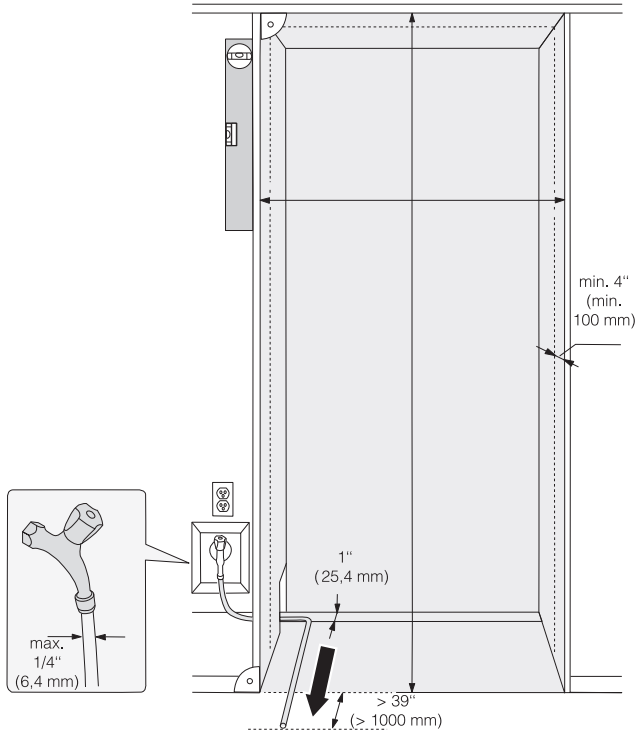
If the partition wall **a** is **more than 6 5/16" (160 mm)** thick, you don't need the side-by-side merging kit, and also not the heating mat.

... without partition wall



If the appliances are to be installed next to each other without a partition wall between them, they will need to be joined together with the side-by-side merging kit. In addition, you must install the heating mat to prevent condensation from forming and any resulting damage.

Installation dimensions

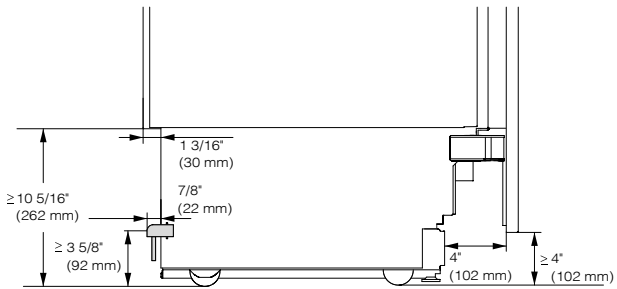
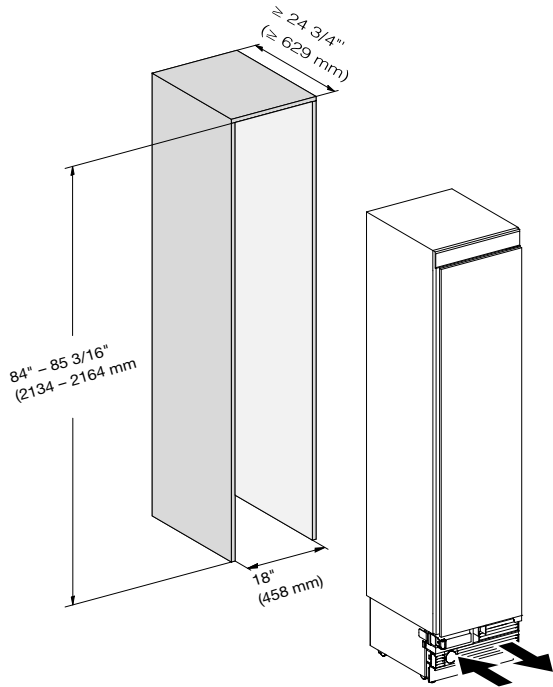


- The electrical connection must not be positioned higher than 9" (228.6 mm) above the floor.
- The 1/4" (6.4 mm) plumbed water connection should not be positioned higher than 2" (50.8 mm) above the floor.

The electrical outlet must not be concealed behind the appliance and must be easily accessible in an emergency.

Installation dimensions

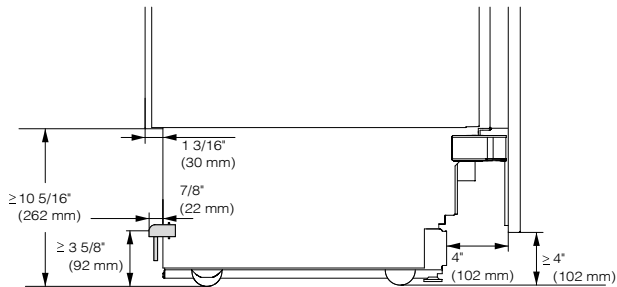
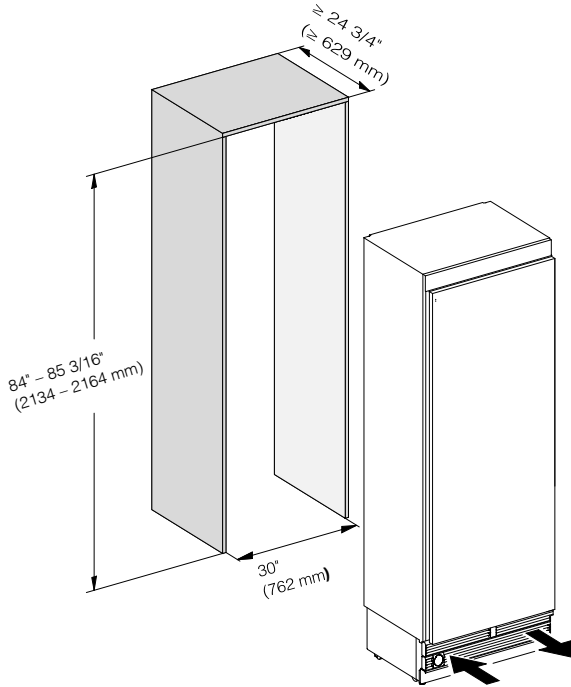
F 2411 Vi



side view

Installation dimensions

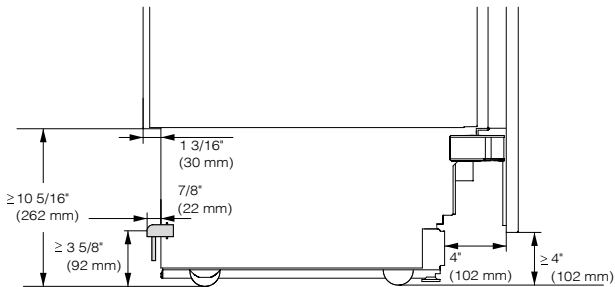
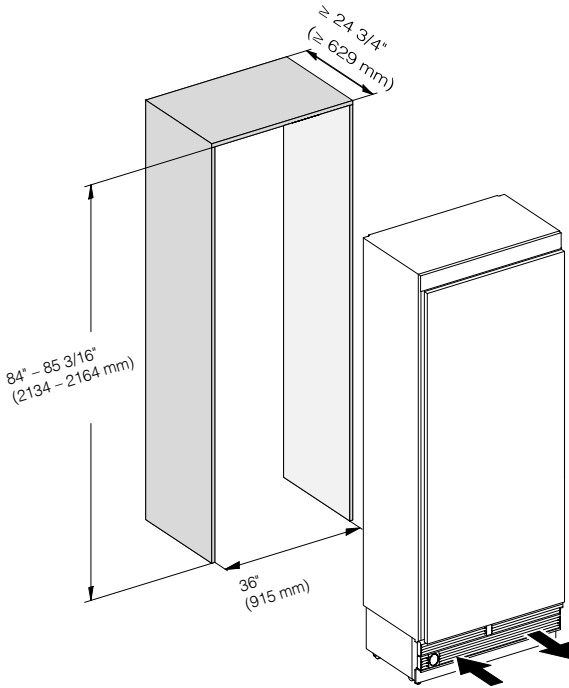
F 2801 Vi, F 2811 Vi



side view

Installation dimensions

F 2901 Vi, F 2911 Vi

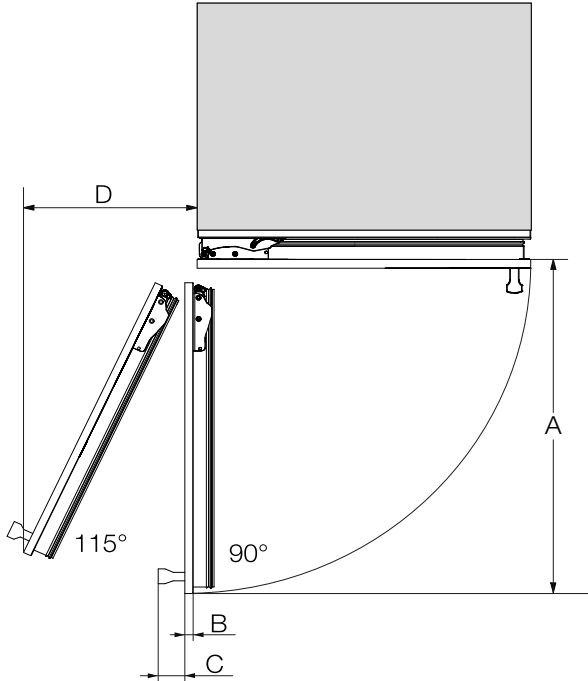


side view

Installation dimensions

Dimensions when the appliance door is open (opening angle 115°)

F 2411 Vi



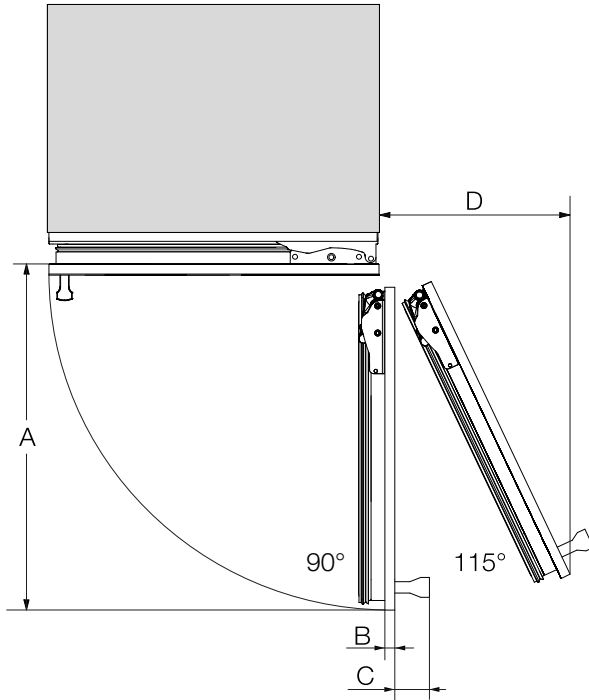
A	B*	C*	D
525 mm	cabinet front max. 1 1/2" (max. 38 mm)	dorr handle	237 mm

* The dimensions of the cabinet front and the door handle vary depending on the design of the kitchen.

The opening angle of the appliance door must not be limited to 90° because otherwise the freezer baskets and ice cube tray cannot be removed.

Installation dimensions

F 2801 Vi, F 2811 Vi, F 2901 Vi, F 2911 Vi



	A	B*	C*	D
F 2801 Vi, F 2811 Vi	829 mm	cabinet front max. 1 1/2" (max. 38 mm)	dorr handle	363 mm
F 2901 Vi, F 2911 Vi	982 mm	cabinet front max. 1 1/2" (max. 38 mm)	dorr handle	428 mm

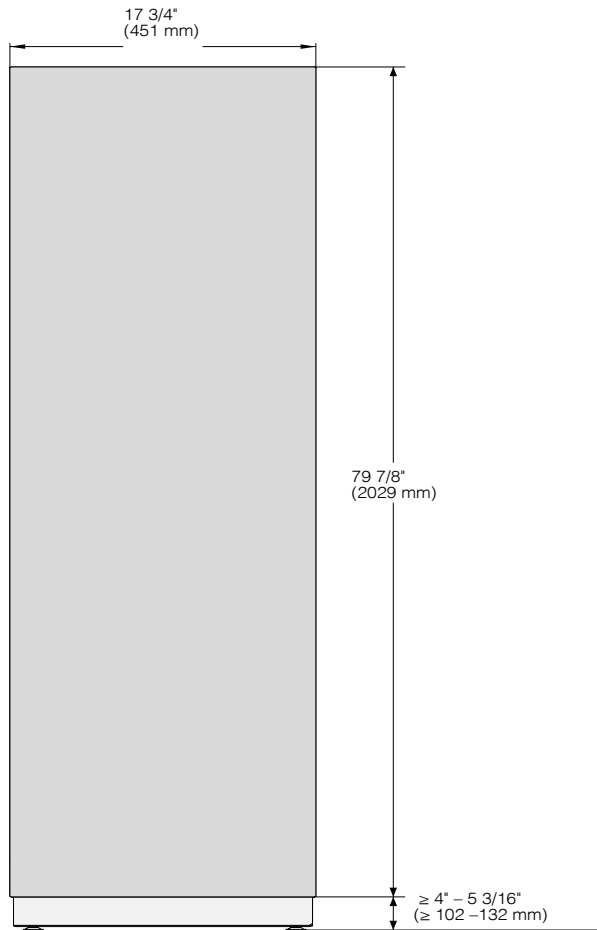
* The dimensions of the cabinet front and the door handle vary depending on the design of the kitchen.

Installation dimensions

The opening angle of the appliance door must not be limited to 90° because otherwise the freezer baskets and ice cube tray cannot be removed.

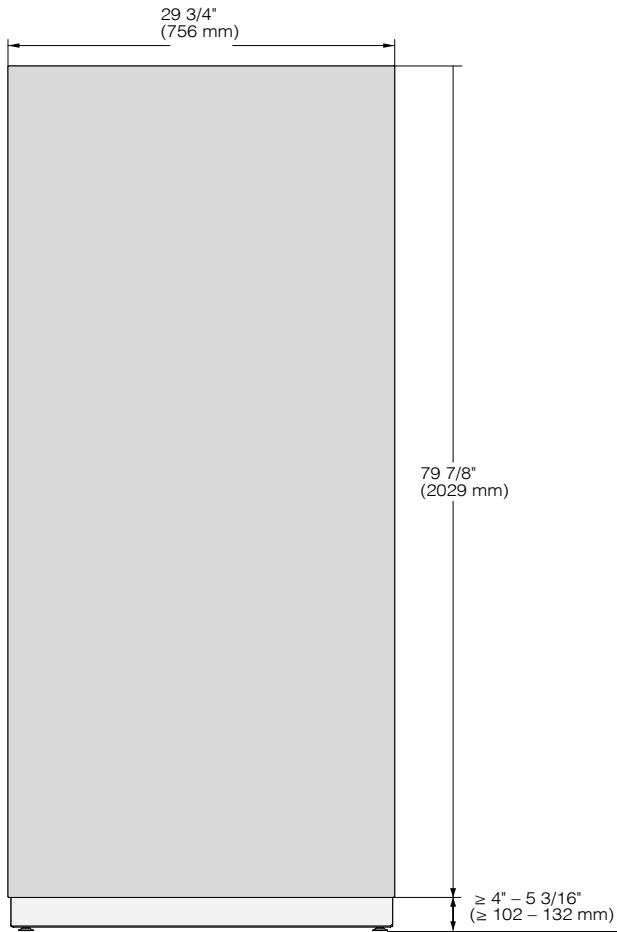
Dimensions of the cabinet front

F 2411 Vi



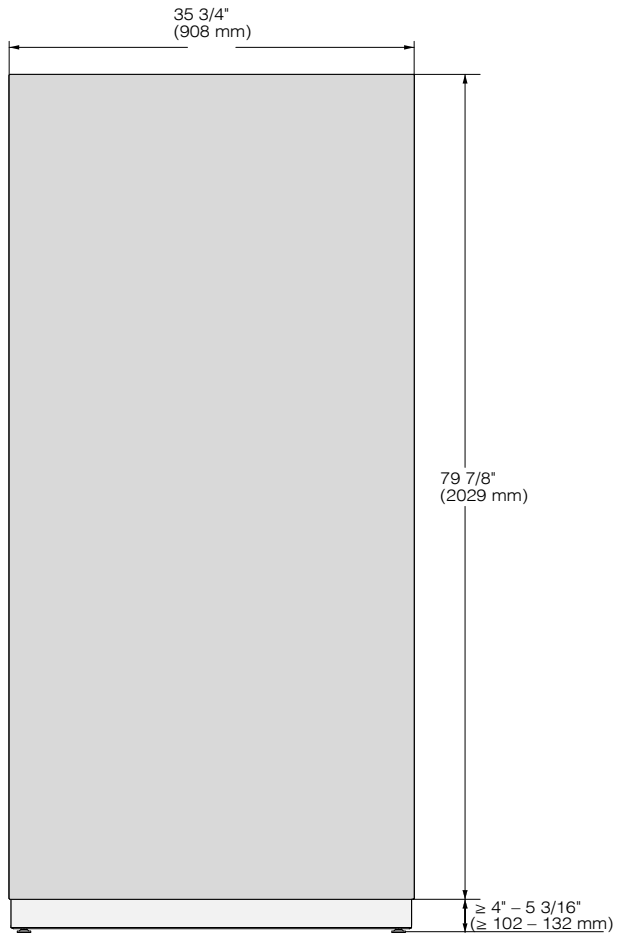
Dimensions of the cabinet front

F 2801 Vi, F 2811 Vi



Dimensions of the cabinet front

F 2901 Vi, F 2911 Vi



Before starting...

It is essential to read these installation instructions carefully before starting to install the appliance.

The appliance should be installed by a suitably qualified tradesman in accordance with these installation instructions. Safe operation of the appliance is only assured if it has been installed and connected in accordance with the installation instructions.

Risk of damage and injury!

This appliance is very heavy and can tip forwards when the door is open.

Keep the appliance door shut until the appliance has been built in and secured in its housing in accordance with the operating and installation instructions.

The appliance is both large and heavy. Installation must be carried out by two people.

The appliance must be installed in accordance with local regulations. If local regulations are not available, the following regulations must be observed:

- in the USA: the National Electric Code, ANSI/NFPA 70 - latest edition/ State and Municipal codes and/or local codes.
- in Canada: the Canadian Electric code C22.1 - latest edition/Provincial and Municipal codes and/or local codes.

Tools required

- Cordless drill
- TX 20 screwdriver
- Hammer drill
- Drill bits in various sizes, depending on materials
- Hammer
- Open-ended wrench
- Ratchet wrench, attachment: socket, 5/16" (8 mm)
- Adhesive tape
- Utility knife
- Pipe wrench
- Level
- Tape measure
- Pencil

Other

- Step ladder
- Hand truck

Building in the appliance

Weight of cabinet front

Before installing the cabinet front, ensure that the weight of the door does not exceed the maximum permitted:

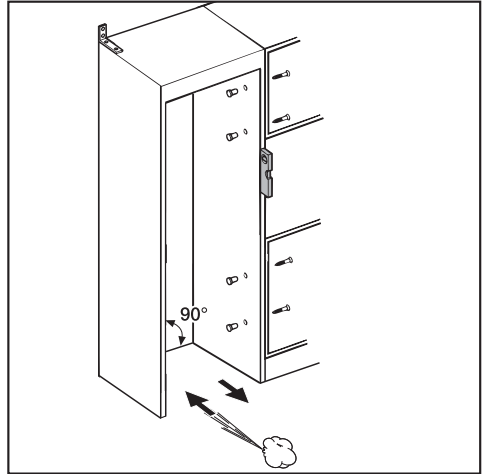
	Max. weight of cabinet front
F 1411 Vi	134 lb (61 kg)
F 2801 Vi, F 2811 Vi	77 lb (35 kg)
F 2901 Vi, F 2911 Vi	68 lb (31 kg)

⚠ Risk of damage due to weight of cabinet front.

Cabinet fronts that exceed the permitted weight can damage the hinges, and this can affect various factors, such as operation of the appliance.

Always observe the permissible weight of the cabinet fronts.

Aligning the installation niche



The installation niche must be carefully aligned using a level before installing the appliance. The niche corners must be at 90° angles to each other, otherwise the cabinet door will not sit straight on all four corners.

- The side panels of the installation niche must be even.
- The surrounding walls of the installation niche must be at least 5/8" (16 mm) thick.
- The surrounding walls must be securely fixed to the floor or wall.
- The shortened side walls must be at least 4" (100 mm) thick.
- The baseboard must be at least 1/2" (13 mm) thick (preferably 3/4" (19 mm)).

Checking the installation space

- Check the installation dimensions.
- Check the position of the electrical and plumbing connections.
- Check that all adjacent cabinets / units are securely fixed to the wall.
- Check the adjacent cabinets / units for possible collisions when opening doors (door opening angle).

Before installation



Heavy weight!

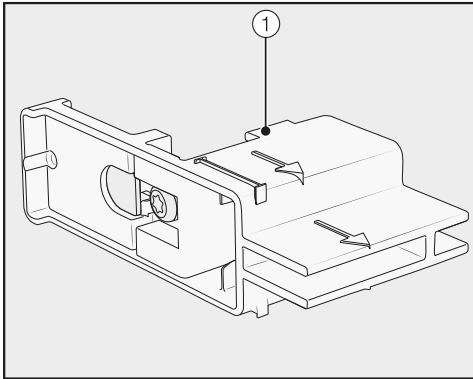
This appliance is very heavy and can tip forwards when the door is open.

- Prepare the plumbed water connection for the appliance (see “Plumbed water connection”).
- Before installation, remove any accessories from the back of the appliance.
- Check the appliance for damage during transportation.

Do not install a damaged appliance.

- Check that all parts at the back of the appliance are unhindered.
- To protect the floor when installing the appliance, secure an off-cut of flooring or similar material to the floor in front of the installation area.

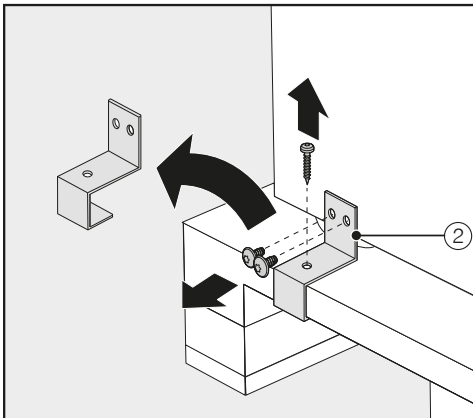
Building in the appliance



- Do **not** remove the installation aids ① from the appliance door. These will be required later when the appliance is installed in the niche.

⚠ Risk of tipping over!

Make sure the appliance is no longer secured to the pallet as soon as you unscrew the brackets that fix the appliance to the pallet.



- Unscrew the brackets ②.
- With the help of several people as required, carefully lift the appliance from the pallet, starting with the back of the appliance.

As soon as you have set the appliance upright, you can move it using the rollers on the bottom.

Preparing the installation niche

⚠ Keep the appliance door closed until the appliance is secured inside the niche!

⚠ Risk of tipping over!

The installation niche must be secured to the wall behind it with several screws. Only this can ensure that the appliance will not tip over after being installed!

Always use the provided anti-tip brackets to secure the niche.

Due to the sheer size and weight of the appliance, it needs to be ensured that it cannot tip forwards once it is built into the niche.

Using the installation equipment

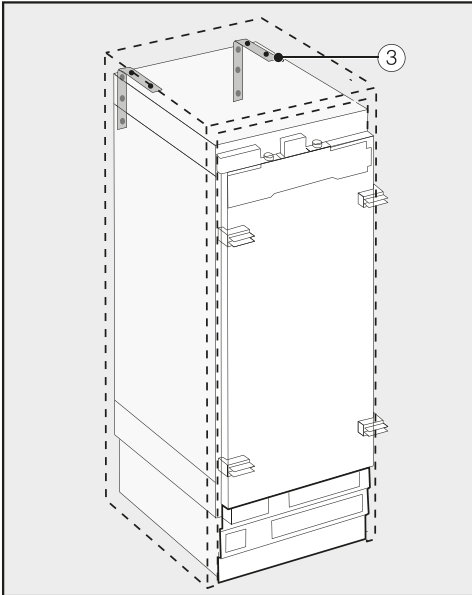
Parts required for installation of the appliance are supplied with the appliance. The plastic bags supplied are marked with letters for easy identification.

- When performing the individual assembly steps, observe the letters specified and use the matching plastic bag with the required installation equipment.

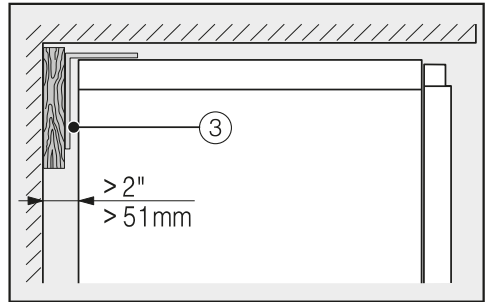
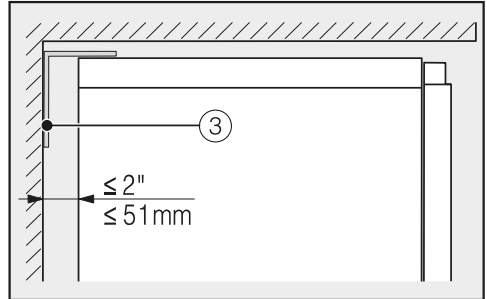
Building in the appliance

Securing the installation niche

The provided anti-tip brackets ③ ensure the installation niche is securely fixed to the wall.



- Use 2 anti-tip brackets ③ for each individual appliance or 4 anti-tip brackets for each (side-by-side) combination of 2 appliances.
- Position the anti-tip brackets ③ on the left and right of the niche.

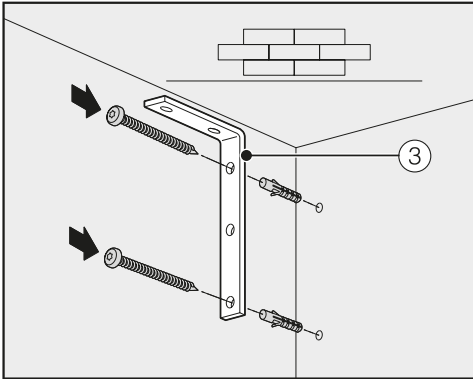


- Make sure that the gap between the appliance's rear wall and the installation niche does not exceed 2" (51 mm).
- Place a wooden wedge behind the anti-tip brackets ③ if necessary.
- While holding the anti-tip brackets in place, mark the necessary drill holes on the rear wall of the installation niche.

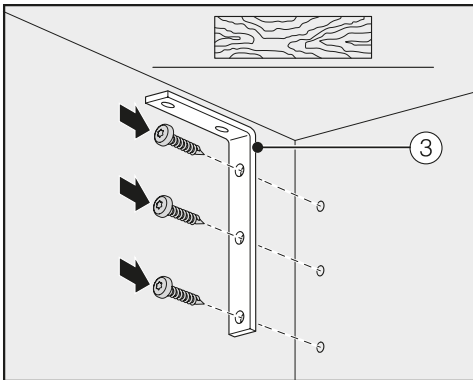
Building in the appliance

B

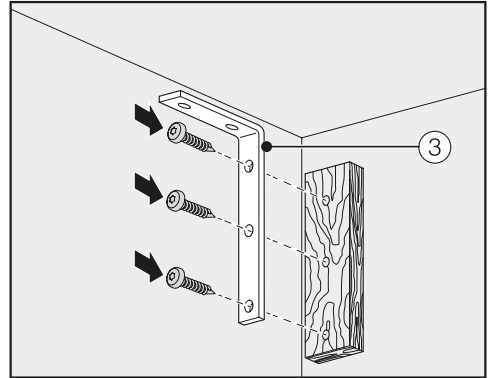
Retaining screws for different uses and types of material are supplied in the accompanying pack:



Securing to a concrete wall



Securing to a wooden wall



Securing with a wooden wedge

- Secure the installation niche to the wall using the anti-tip brackets ③.
- Now prepare the plumbed water connection for the appliance (see “Plumbed water connection”).

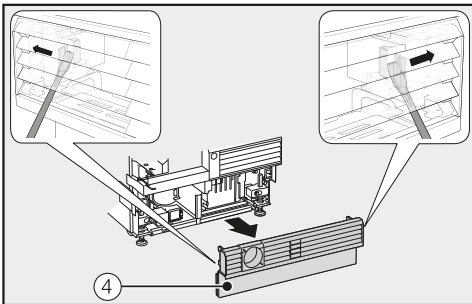
Building in the appliance

Pushing the appliance into the niche

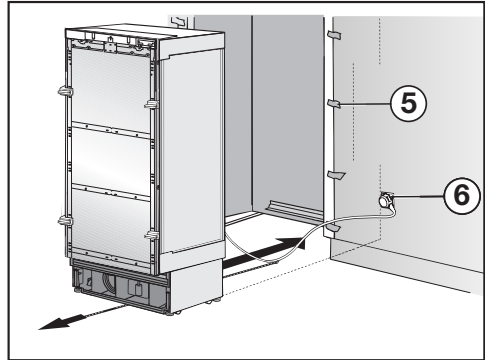
Push the appliance into the niche, taking care not to damage the power cord and plumbed water connections.

If you are installing several appliances side by side, now secure the appliances to one another (see the instructions for the side-by-side installation kit).

- Remove the baseboard ④ from the appliance base as follows:



- Carefully guide a flat-head screwdriver through the grate in the baseboard ④ on both sides and use it to push the internal plastic latches outwards to release the baseboard.



- Affix edge protection ⑤ to the adjacent cabinet fronts.
- Insert the plug connector at the back of the appliance (see “Electrical connection”).
- Insert the plug ⑥ into the electrical socket.

The electrical socket should be close to the appliance and easily accessible!

Otherwise, it must be possible to switch the appliance on and off using an external all-pole switch with a sufficient contact gap!

⚠ Risk of short circuit and overloading!

When installing appliances side by side, each appliance must have its own separate electrical socket.

Tip: To secure the power cord to prevent it becoming caught: Tie a piece of string to the middle of the cord and as the appliance is being pushed into the niche, pull the cord forward underneath the appliance.

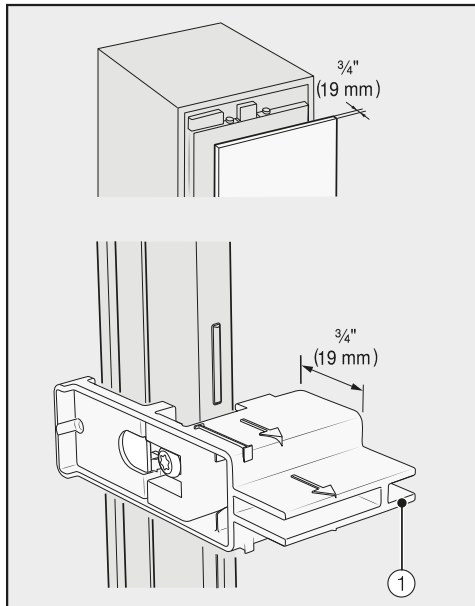
- Carefully push the appliance into the niche.

Building in the appliance

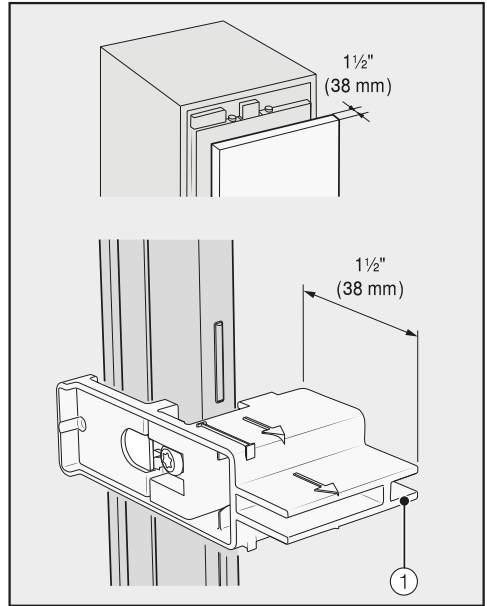
- If the appliance cannot be pushed into the niche (because the floor is uneven, for example), unscrew the rear feet slightly (see “Aligning the appliance”) and slide the appliance into the niche.
- Remove the edge protection ⑤ from the adjacent cabinet fronts.

Aligning the appliance

- Align the appliance with neighboring cabinet fronts.



cabinet front thickness of 3/4" (19 mm)



cabinet front thickness of 1 1/2" (38 mm)

The installation aids ① on the appliance door are suitable for a cabinet front thickness of 3/4" (19 mm) or 1 1/2" (38 mm).

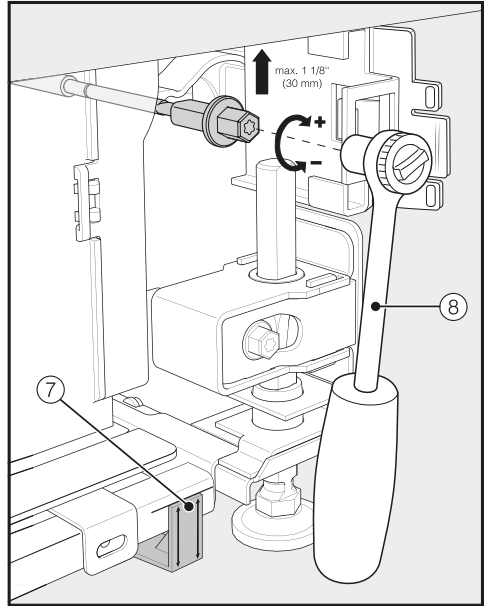
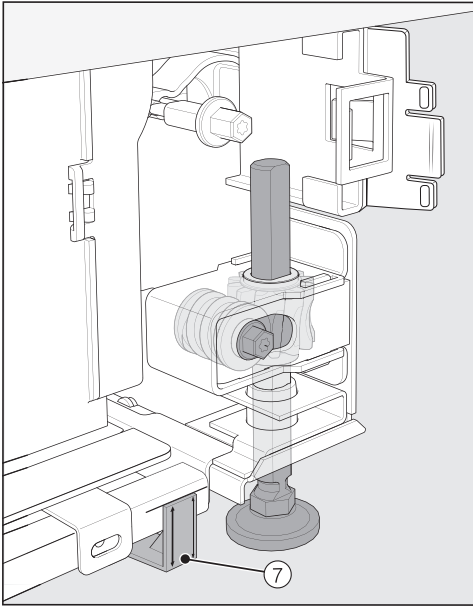
Building in the appliance

The adjustable feet at the front and back of the appliance can all be adjusted from the front:



Risk of damage!

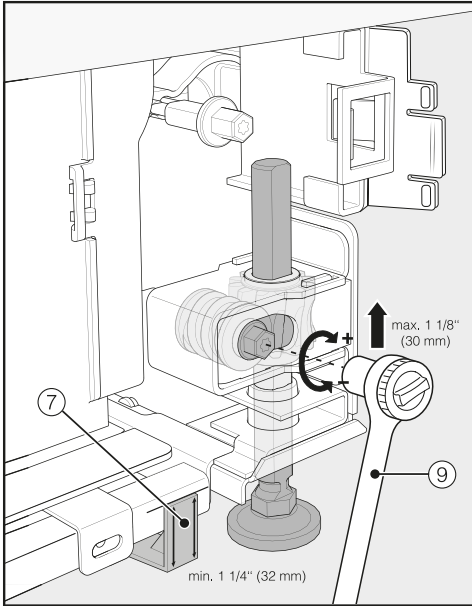
Do not **under any circumstances** use a cordless screwdriver to adjust the front and rear feet.



- Adjust the front feet with a ratchet (attachment: 5/16" (8 mm) socket) or a TX 20 screwdriver (8).

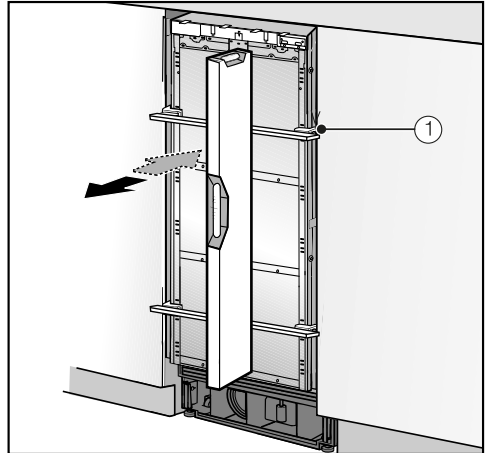
- Position the supplied spacers (7) on both sides on the markings next to the adjustable feet at the front of the appliance.

Building in the appliance



- Adjust the rear feet with a ratchet (attachment: 5/16" (8 mm) socket) or a TX 20 screwdriver ⑨.

Tip: Proceed carefully when adjusting the feet, alternating between the left and right feet.



- Place a level across the installation aids ① on the appliance door to check the appliance's alignment.
- Unscrew the feet ⑧ and ⑨ on both sides at least until the marking on the base is aligned with the required 1 1/4" (32 mm) on the spacer ⑦. The standard dimension of 1 1/4" (32 mm) relates to a niche height of 84" (2134 mm).

It is important to align the feet to a height of at least 1 1/4" (32 mm) so that the appliance's ventilation works properly via the base.



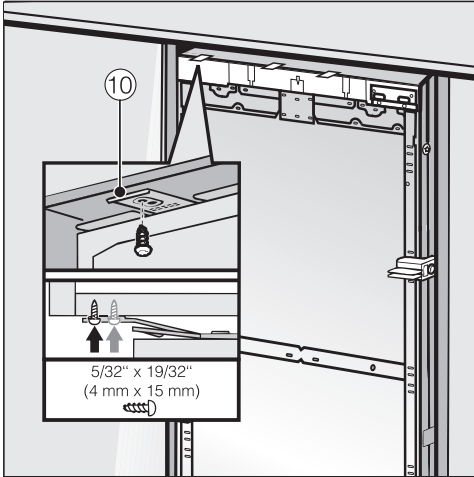
Risk of damage!

Unscrew the feet **only until** the marking on the base is aligned to a maximum of 2 7/16" (62 mm) (max. niche height of 84" (2164 mm)). Otherwise the rear foot adjustment will be damaged.

- Check the alignment of the appliance again using installation aids ① and the level.

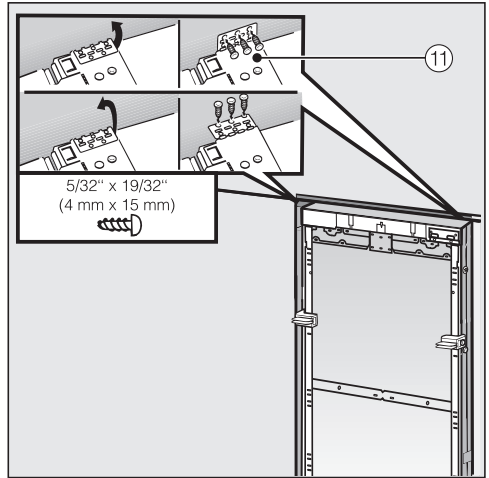
Building in the appliance

Securing the appliance in the niche



- Screw the lugs for the fixing plate ⑩ into the cabinets/units above the appliance.

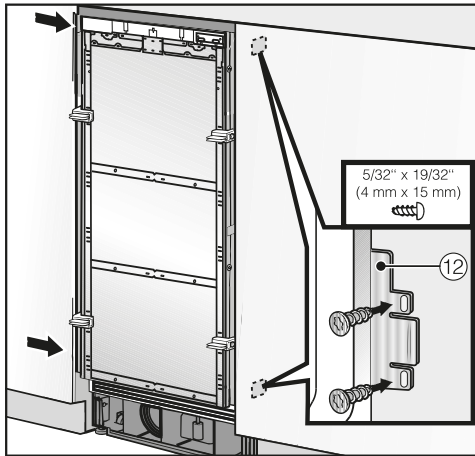
If it is not possible to secure the appliance at the top, it can be attached to the niche with the side fixing plates:



- Open out the side fixing lugs ⑪.
- Secure the side fixing lugs ⑪ with the screws provided.

Building in the appliance

- Open the appliance door.



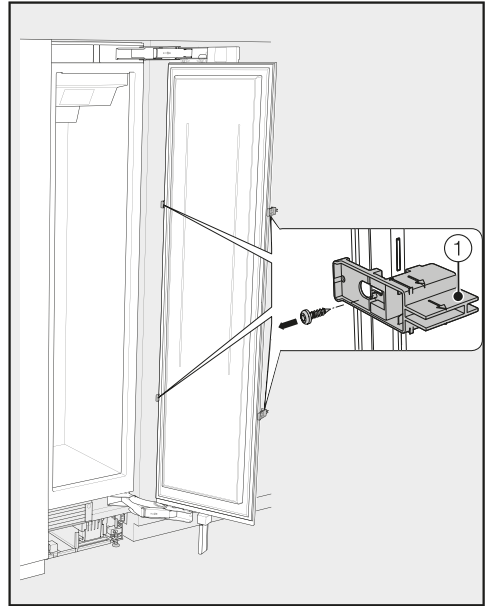
- Screw the fixing plate lugs ⑫ at the top and bottom to the cabinets/units adjacent to the appliance.

In a side-by-side combination, only the external panels of the two appliances can be secured to the cabinet wall.

- Connect the appliance to the household water supply (see “Plumbed water connection”).

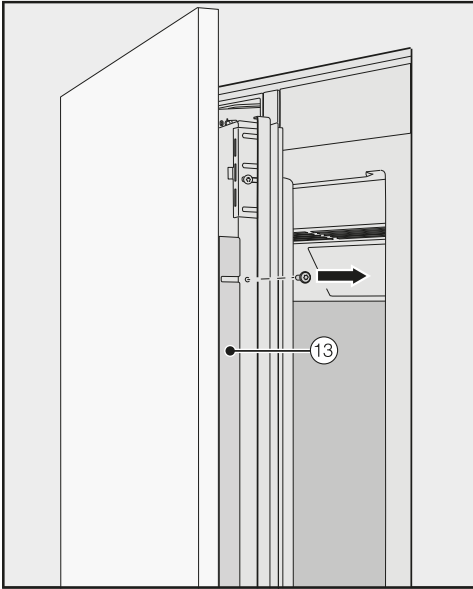
Preparing the cabinet fronts

- Open the appliance door as far as it will go.



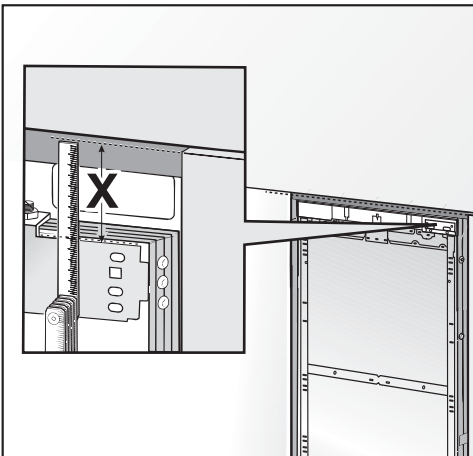
- Unscrew the installation aids ① from the appliance door.

Building in the appliance

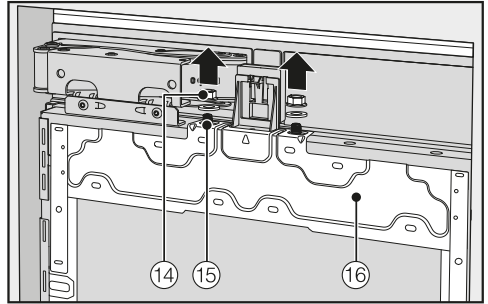


- Unscrew the angle trims ⑬ from the appliance door and place the trims and screws to one side – they will be required later.

- Close the appliance door.



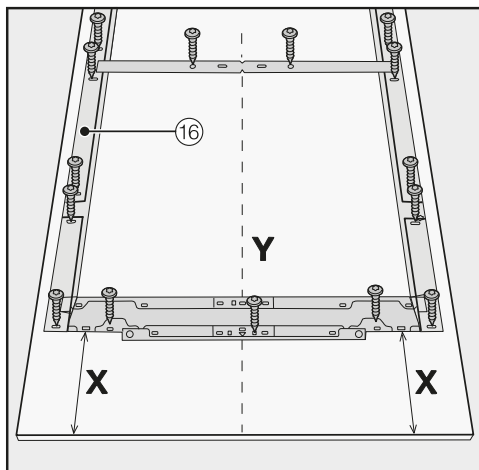
- Measure the gap X between the adjusting bar and the upper edge of the adjacent cabinet front.



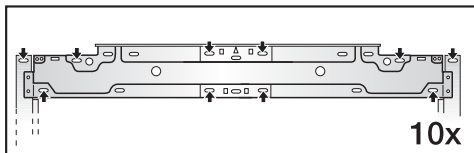
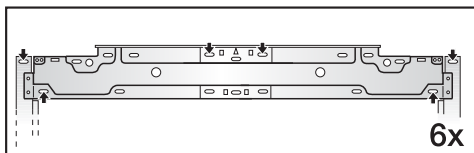
- Remove the nuts and washers ⑭ from the threaded bolts ⑮ and store them in a safe place – they will be required later.

The fixing frame ⑯ can now be removed from the appliance door.

Building in the appliance



- Secure the fixing frame ⑩ to the top of the cabinet front, using 6 – 10 screws depending on the size:



- Place the cabinet front on a firm surface, with the external side facing downwards (place on a blanket or similar to avoid it becoming scratched).
- Mark the distance **X** - 1/8" (3 mm) on the inner side of the cabinet front.
- Similarly, locate and mark the midpoint **Y** on the cabinet front.
- Remove the fixing frame ⑩ from the appliance door and position it according to the markings on the cabinet front.
- Pre-drill the holes.

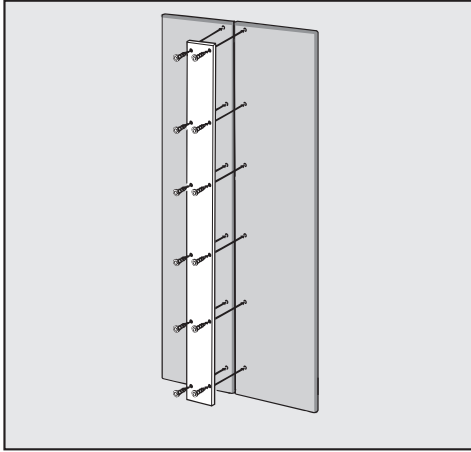


- Screw the fixing frame ⑩ to the cabinet front:
Use at least one screw for each fixing point on the fixing frame ⑩.

The fixing frame has several different types of holes to take account of a variety of cabinet fronts.

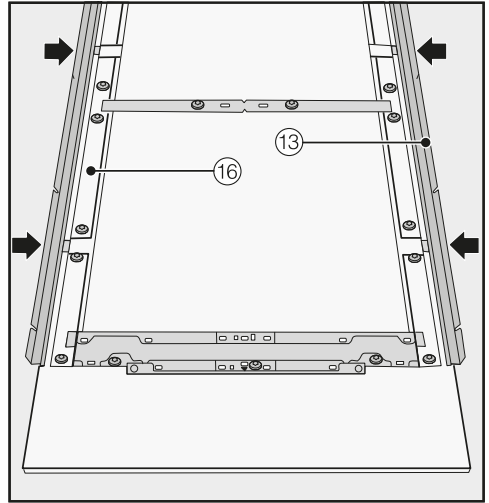
When securing the frame, always screw into the strongest part of the cabinet door. To do this, select screws which are slightly shorter than the thickness of the cabinet front.

Building in the appliance

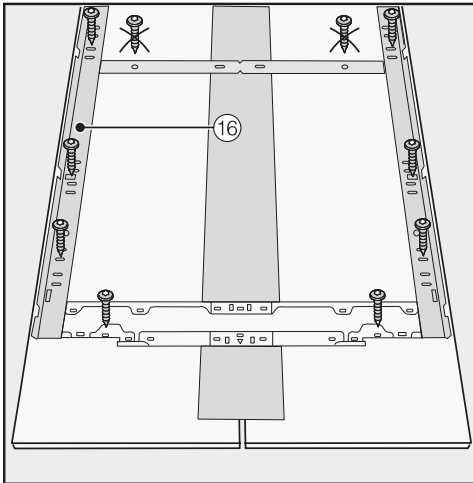


- If you are using a metal strip, always pay attention to the length of the screws when securing the metal strip to the cabinet front.

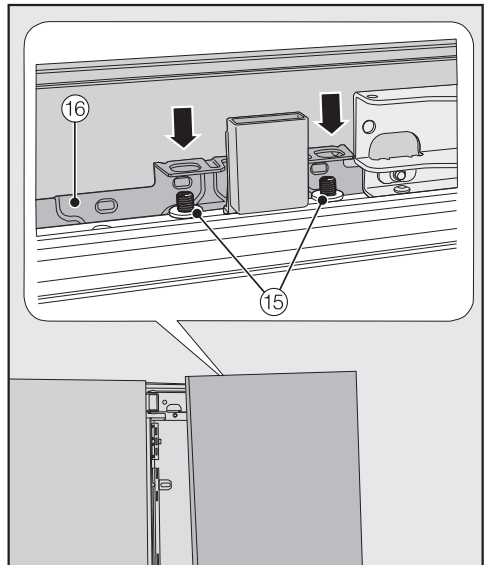
Securing and aligning the cabinet front



- Now insert the angle trims (13) as far as they will go into the provided spaces in the fixing frame (16).

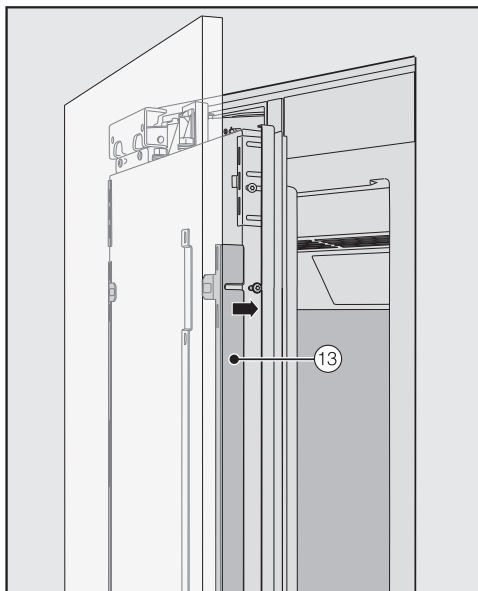


- If you are using a metal strip, only secure the fixing frame (16) to the outer frame with the screws.
- Screw the appliance handle to the cabinet front from the inside if necessary (not for handle-free kitchens).

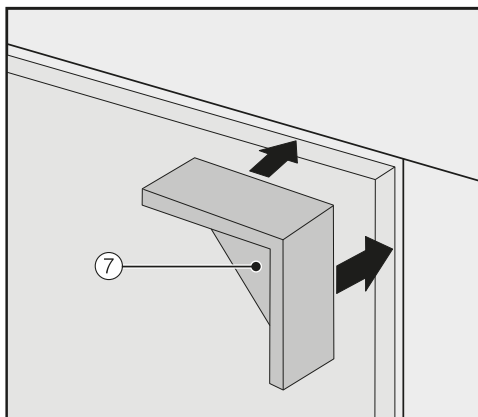


Building in the appliance

- Open the appliance door and hang the cabinet front on its frame ⑯ onto the threaded bolts ⑮.



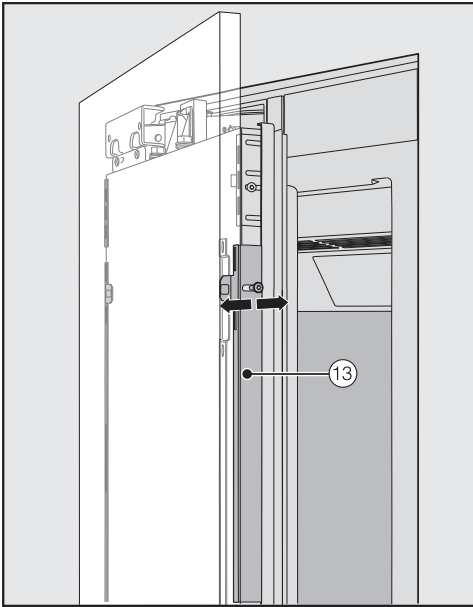
- Press the angle trims ⑬ into the white plastic frame on both sides and screw them securely into place. Spare screws are provided in the plastic bag marked with the letter E.



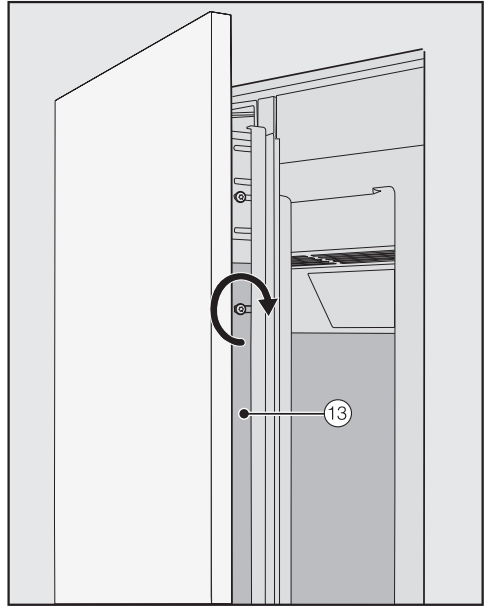
- Place the spacers ⑦ on top of the cabinet front on both sides.

Building in the appliance

- Close the appliance door and check the distance between the door and adjacent cabinet doors.

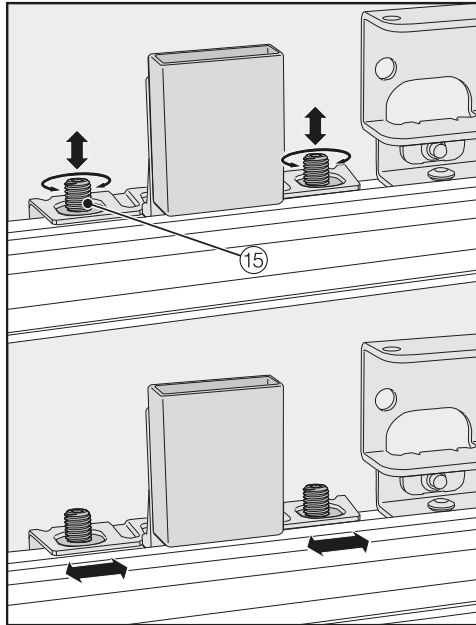


- Align the depth of the appliance door via the gaps in the angle trims ⑬. Then screw the angle trims ⑬ into position.



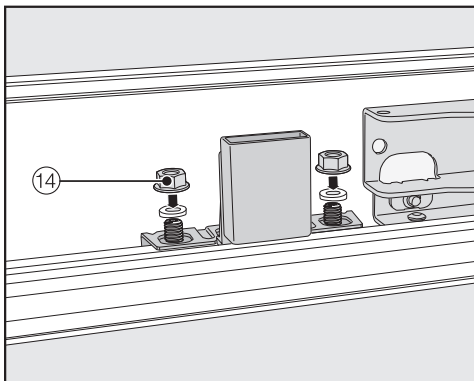
- Now tighten the screws in the angle trims ⑬.

Building in the appliance



- Remove the spacers (7) from the cabinet front.

- Align the height and sides of the appliance door using the threaded bolts (15).
- Close the appliance door and check the distance between the door and adjacent cabinet doors.



- Place the washers and nuts (14) back in position and tighten the nuts (14).
The appliance door is now fixed.

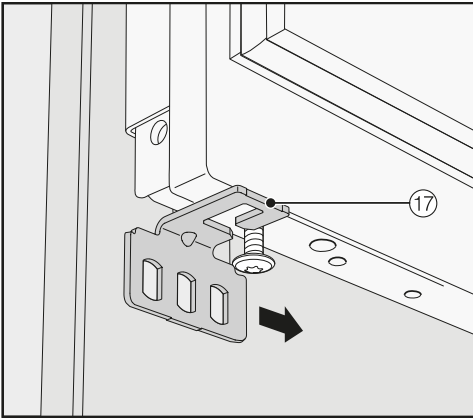
Mounting the fixing bracket



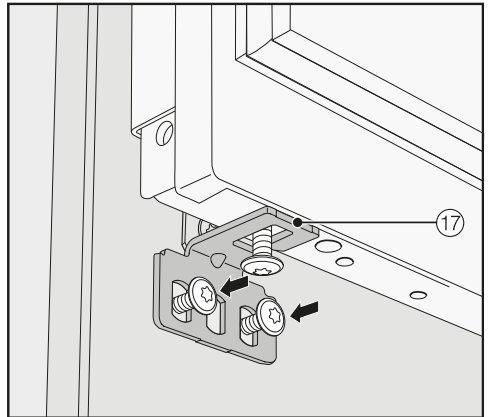
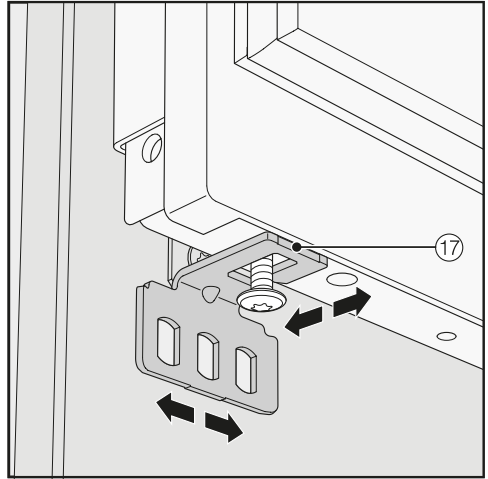
The fixing bracket is used to secure the cabinet front to the bottom of the appliance door.

Do not mount the fixing bracket until the appliance (or side-by-side combination, if applicable) has been installed and the cabinet front has been aligned.

- Open the appliance door as far as it will go.

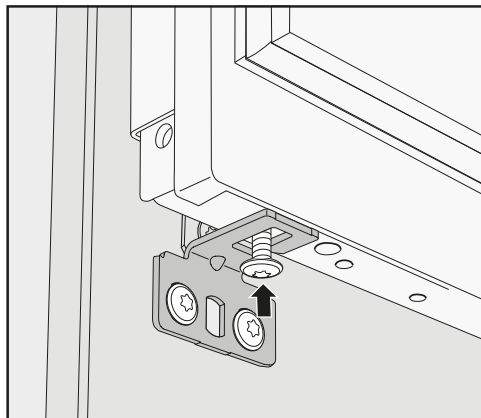


- Slide the fixing bracket 17 sideways onto the screw at the bottom of the appliance door.

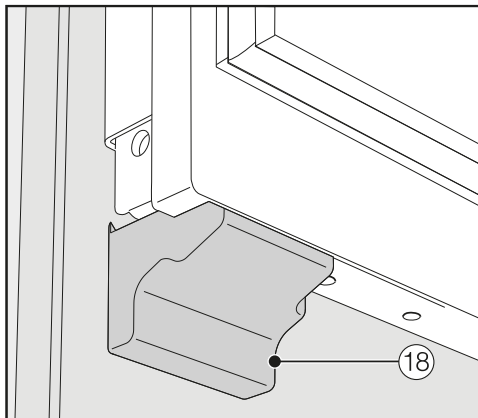


- Screw the fixing bracket 17 securely to the cabinet front.

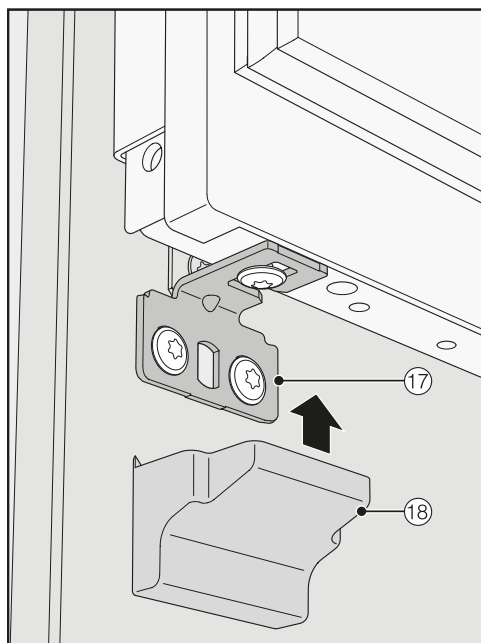
Building in the appliance



- Tighten the screw at the bottom of the appliance door.

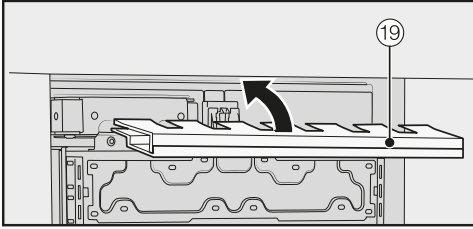


- Click the cover ⑱ onto the fixing bracket.

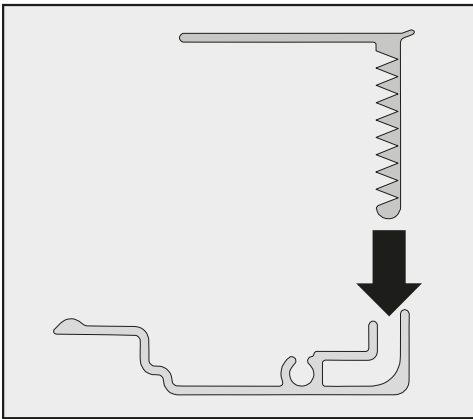


- Install the cover ⑱ to the fixing bracket ⑰.

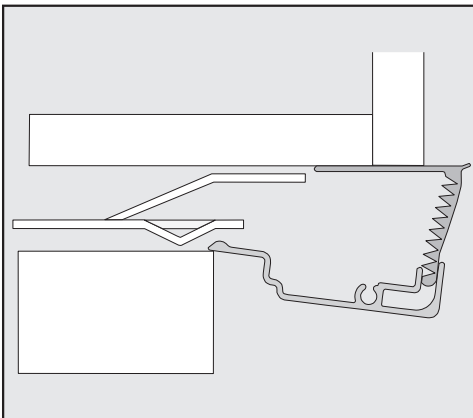
Securing the covers



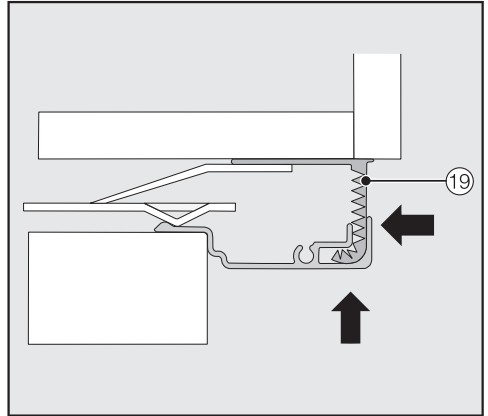
- The top cover 19 must be assembled as follows before it can be installed:



- Insert the two parts of the cover into one another.



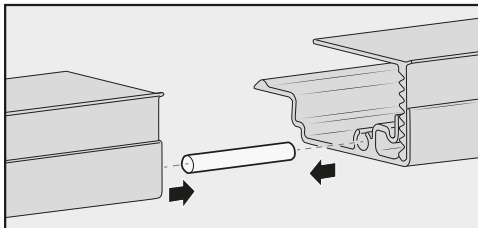
Cover viewed from the side



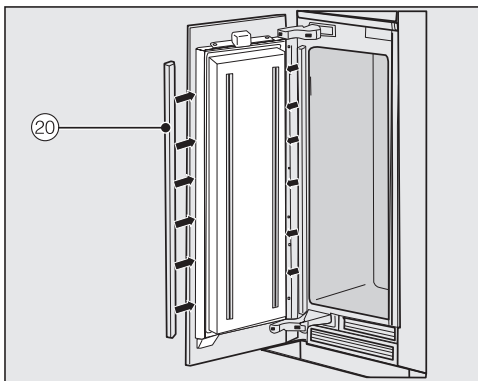
- Place the assembled cover 19 into the gap above the appliance so it clicks into place. While doing so, slide both parts of the cover together as required.

Building in the appliance

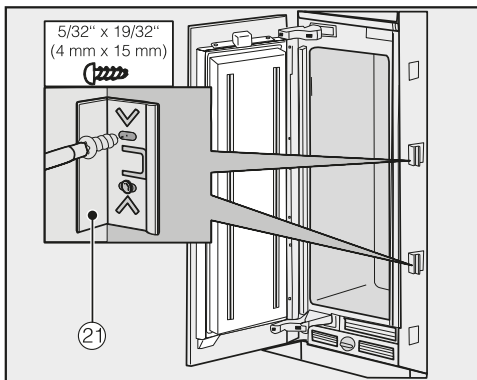
Mounting the cover in a side-by-side combination



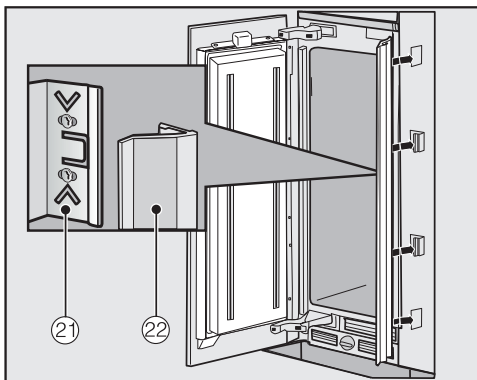
- Insert the joining peg (from the side-by-side kit) halfway into the channel in the cover for the left-hand appliance.
- Place the second cover onto the pin and press the two covers together.
- Click the two covers together into the niche above the appliance.



- Fit the two plastic covers 20 on both sides of the appliance door by clicking them into the gap between the appliance door and the cabinet door, starting at the bottom and working up to the top.

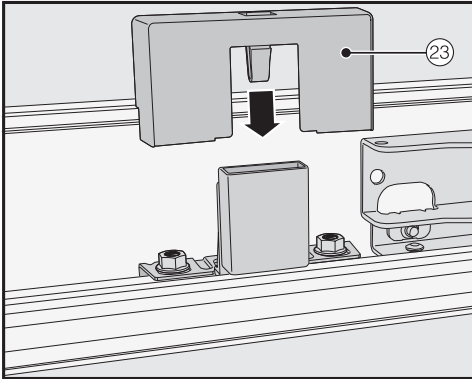


- Secure both sides of the appliance using at least 3 clips 21 for the covers.



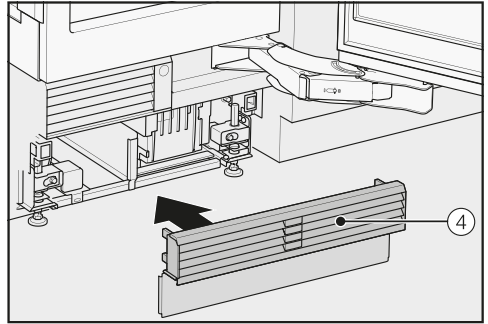
- Now attach the covers 22 onto the retaining clips 21 on both sides. In the case of side-by-side installation, the covers are only required on the outer side.

Building in the appliance

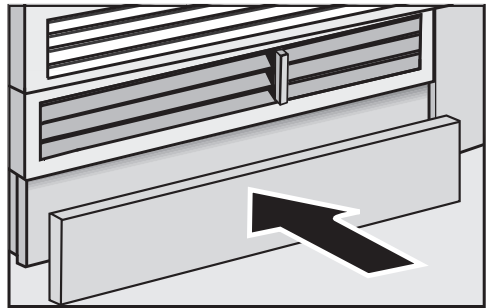


- Fit the cover ②③ to the light contact switch.

Securing the toe-kick and the toe-kick cover



- Click the toe-kick ④ onto the bottom of the appliance base.



Do not cover the vents in the base.
This will damage the appliance!

- Cut the toe-kick cover to the required length and height (cut along the lower edge of the base facing where it touches the floor).
- Attach the toe-kick cover to the plinth.

Electrical connection

Risk of electric shock!

The appliance must only be switched on when it has been installed in accordance with the installation instructions.

Ground the appliance.

The appliance must not be grounded via a gas pipe.

If in doubt, have a suitably qualified and experienced electrician check that the installation complies with relevant regulations.

Do not install a fuse into neutral current or grounding electrical circuit.

Do not use extension cords or ungrounded (two prong) adapters.

Do not use a frayed or damaged power cord.

Risk of electric shock!

For protection against electric shock, this appliance is equipped with a pole-free plug which is protected against reverse polarity. The electrical socket must be properly grounded.

Do not remove the round grounding connector pin from the plug.

Use only a grounded plug adapter.

Wait for 1 hour after installation before plugging the appliance into the power supply. This allows coolant and refrigerator oil to settle in accordance with regulations.

Ensure that the voltage of the power supply corresponds with the connection voltage of the appliance. A power supply of 110–120 V, 60 Hz and 10–16 Amp, which is protected by a power switch or a fuse, is required to operate the appliance.

The manufacturer recommends operating the appliance on a separate circuit to avoid overloading the electrical circuit.

All relevant legal electrical, fire, and building regulations must be observed when installing the socket and/or the appliance.

In certain countries, appliances are required to be connected to the electrical supply via a wall-mounted ON/OFF switch.

To avoid the risk of fire, electric shock, or other injuries, the appliance must be installed and connected by a suitably qualified electrician in accordance with all relevant local and national regulations and standards, including fire prevention.

The socket must not be concealed behind the appliance and must be easily accessible so that the appliance can be quickly disconnected from the electrical supply in case of an emergency.

Electrical connection

If the socket is no longer accessible after installation, an additional means of disconnection must be provided for all poles. Suitable means of disconnection include switches with an all-pole disconnect device with a contact opening of at least 1/8" (3 mm). These can be circuit breakers, fuses, and relays.

The plug and power cord must not come into contact with the back of the appliance as vibrations can cause damage to these components. This could result in a short circuit.

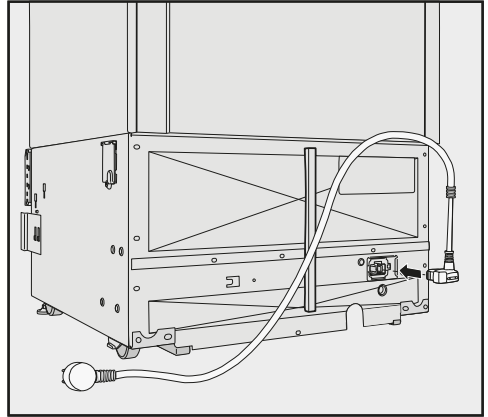
Do not plug other appliances into electrical sockets behind this appliance.

Do not connect the appliance to a stand-alone inverter such as those used with an autonomous energy source e.g., **solar power**.

When the appliance is turned on, power surges could result in a safety switch-off. This can damage the electronics. The appliance must not be used with so-called **energy saving devices** either. These reduce the amount of energy supplied to the appliance, causing it to overheat.

If the power cord needs to be replaced, this must be performed by a qualified technician.

Connecting the appliance



- Insert the plug into the back of the appliance.

Make sure that the plug has clicked into position correctly.

- Insert the plug into the electrical socket and switch on.


The appliance is now connected to the electricity supply:

Follow the steps described in “Switching the appliance on and off”, section “Switching on the appliance”.

Water connection


Water connection

Information on the fresh water connection


 Risk of injury and appliance damage if appliance is not connected properly.

Failing to connect the appliance properly can result in personal injury and/or material damage.

The appliance may only be connected to the fresh water connection by qualified technicians.

 Disconnect the refrigeration appliance from the power supply before connecting it to the water supply.

Close the faucet before connecting the refrigeration appliance to the water supply.

 Risk to health and risk of damage due to contaminated water.

The quality of the incoming water must conform to the requirements for drinking water in the country where the refrigeration appliance is being used.

Connect the refrigeration appliance to the drinking water supply.

This appliance meets the requirements of IEC 61770 and EN 61770.

Connection to the water supply must comply with the applicable regulations in the country where the appliance is being installed. All appliances and systems used to supply water to the refrigeration appliance must also comply with the applicable regulations in the respective country.

The appliance is only suitable for connection to a cold water line, which

- is directly connected to the water supply in order to ensure that water is circulated in the cold water line.

Avoid connection to a water supply in which the water might stagnate. This can affect the taste of water and ice cubes.

- withstands the operating pressure.
- fulfills the hygiene regulations.

The water pressure must be between 29 and 116 psi (2 and 8 bar).

A shut-off valve must be provided between the water line and the water supply of the building to ensure that the water supply can be cut off if necessary.

Make sure that the shut-off valve is still accessible after the appliance has been installed.

Water connection

Risk of damage!

If the water intake is blocked while the Ice Maker is still in use, the water intake pipe can freeze up.

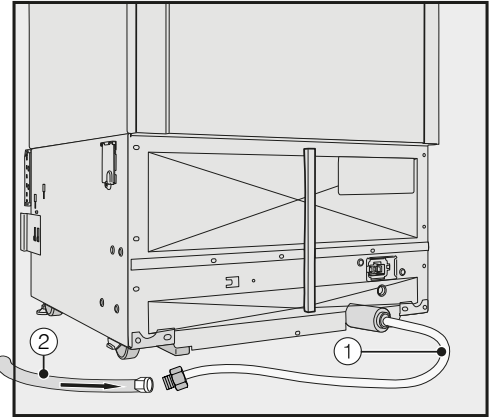
Turn the Ice Maker off if the water intake is interrupted (e.g., while on vacation).

Unduly high water pressure in the system can result in damage to the appliance.

Install a pressure reducing valve if the water pressure in the system exceeds 116 psi (8 bar).

Do not install the system if the water pressure exceeds 120 psi (8.3 bar).

Contact your plumbing specialist if you are unsure of your water pressure.



The water connection of the appliance ① is ready for connection at the rear of the appliance.

- Install the water hose ② onto the water connection ① at the rear of the appliance. Ensure that the connections are tight and leak-proof.

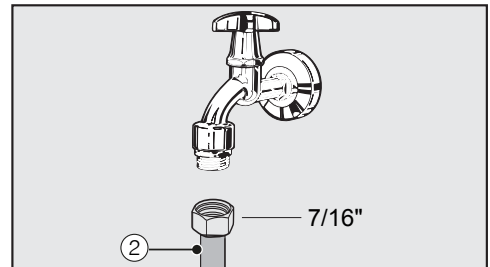
Installing the water hose to the appliance

Before establishing the plumbed-water connection, ensure that the appliance is disconnected from the power supply.

When installing the water hose, make sure that it is neither kinked nor damaged.

By this time, the installation niche should already have been prepared so that the appliance needs only to be pushed into it.

- Position the appliance slightly in front of the installation niche so that the shut-off valve can still be accessed.



- Connect the water hose ② to the shut-off valve.
- Ensure that it is properly screwed into position.
- Slowly open the shut-off valve in the water supply line and check the whole water system for leaks.
- The appliance can now be installed in the niche (see “Installation”).
- The appliance can now be connected to the power supply (see “Electrical connection”).

How to save energy

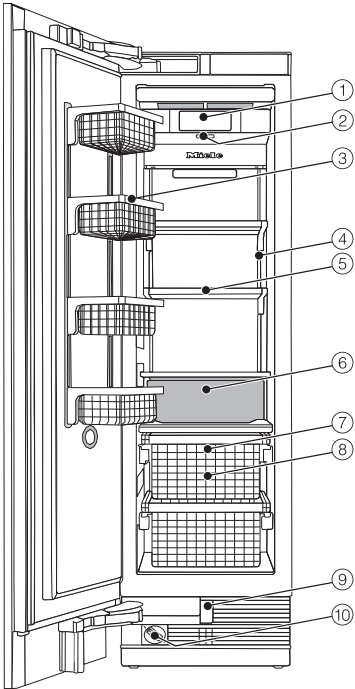
	Normal energy consumption	Increased energy consumption
Installation / Maintenance	In a well-ventilated room.	In an enclosed, poorly ventilated room.
	Protected from direct sunlight.	In direct sunlight.
	Away from heat sources (radiator, range/oven).	Near a heat source (radiator, oven).
	Where the ideal room temperature is approx. 68°F (20°C).	Where the ambient room temperature is above 77°F (25°C).
	Air vents uncovered and dusted regularly.	Where the ventilation openings are blocked and full of dust.
Temperature setting	0°F (-18°C) in the freezer	The lower the temperature set for the freezer, the higher the energy consumption.

How to save energy

	Normal energy consumption	Increased energy consumption
Use	Drawers and shelves arranged as they were when the appliance was delivered.	
	Only open the door when necessary and for as short a time as possible. Store food in an organized way.	Frequent opening of the door for long periods will cause a loss of coldness. The appliance will try to cool down and the compressor will run for longer periods.
	When shopping, use a cooler bag and place the food in the appliance as soon as possible. Allow hot food and drinks to cool down before placing them in the appliance.	Hot food or food at room temperature raises the temperature inside the appliance. The appliance will try to cool down and the compressor will run for longer periods.
	Store food well packaged.	The evaporation or condensation of liquids in the Freezer Zone will cause a loss of coldness.
	Do not overfill the appliance in order to allow the air to circulate.	Poor air circulation will cause a loss of coldness.

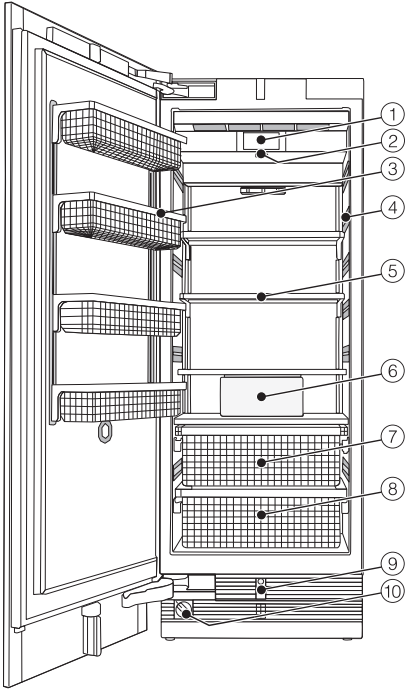
Guide to the appliance

F 2411 Vi



- ① Display
- ② On/Off switch
- ③ Door shelves in the appliance door
- ④ Interior lighting
- ⑤ Shelves
- ⑥ Ice maker
- ⑦ Ice cube tray in the freezer basket
- ⑧ Freezer baskets
- ⑨ Automatic door opening
- ⑩ Water filter

F 28x1 Vi, F 29x1 Vi





- ① Display
- ② On/Off switch
- ③ Door shelves in the appliance door
- ④ Interior lighting
- ⑤ Shelves
- ⑥ Ice maker
- ⑦ Ice cube tray in the freezer basket
- ⑧ Freezer baskets
- ⑨ Automatic door opening
- ⑩ Water filter

Guide to the appliance




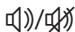


Main screen












- ① SuperFrost display
(only visible when the SuperFrost function has been switched on)
- ② Temperature display (target temperature)
- ③ Sensor control 
for setting the temperature
- ④ Display for Miele@home connection status
(only visible when Miele@home has been set up)
- ⑤ Sensor control 
for adjusting various settings in settings mode


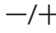


Settings mode

The following icons can be selected in settings mode:

Symbol		Function
	Language	Set
	Display Brightness	Adjust (darker to brighter)
	Color Scheme	Set (dark or bright)
	Buzzer Tones	Adjust the volume or switch off the Buzzer Tones completely (e.g., for the door alarm)
	Keypad Tone	Adjust the volume or switch off the Keypad Tone completely
°F/° C	Temperature Unit	Set (°Fahrenheit or ° Celsius)
	Keypad Lock	Switch on or off (see “Selecting additional settings”)

	Eco Mode	Switch on or off (see “Selecting additional settings”)
	Self Test	The system restarts and is checked for faults or malfunctions (see “Selecting additional settings”)
	Door Assistant	Switch on (Push2Open or Pull2Open) or switch off (see “Selecting additional settings”)
	Miele@home	Set up, deactivate, or query WLAN connection status (see “Selecting additional settings”)
	Demo Mode	Switch off * (only visible when Demo Mode, is switched on see “Selecting additional settings”)
	Factory Default	Reset to default settings (see “Selecting additional settings”)
	Ice Maker	Switch on or off (see “Making ice cubes”)
	Sabbath Mode	Switch on or off (see “Selecting additional settings”)
	Water Filter Display	Switch on or off or reset (see “Selecting additional settings”)

Symbols in settings mode

	Scroll in settings mode or select a setting
	Change a setting (e.g., display brightness)
	Confirm a setting
	Exit the menu level

Accessories

Optional accessories

A range of useful Miele accessories and care products are available for your appliance.

Water filter (Active charcoal filter)

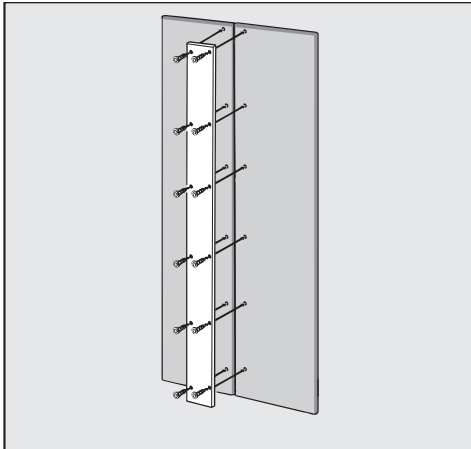
The water filter filters supply water for making ice cubes.

The appliance is supplied with a water filter (Active charcoal filter) that filters supply water for making ice cubes.

Stainless steel front

Stainless steel front panels in stainless steel-look give your appliance a high-quality appearance.

Metal strip



If you wish to install two fronts next to each other instead of one cabinet front, they will have to be connected with a metal strip.

Side-by-side installation kit

For installing two or more appliances next to each other.

Hinge pocket

If the door hinging needs to be changed on your refrigeration appliance, the upper toe-kick ventilation grille must be converted. A new hinge pocket is required in order to do this.

The door hinging must only be replaced by Miele Technical Service.

Accessories are available to order via the Miele Webstore, from Miele directly (see back cover for contact details) or from your Miele dealer.

Before first use

Allow the appliance to stand for approx. 1 hour prior to connecting it to the power supply.
This will help prevent any malfunctions.

Packaging material

- Remove all packaging material from the inside of the appliance.

Leftover tape residue.
Always remove all packaging material, including adhesive tape, **before** switching on the appliance.

Cleaning

Please refer to the relevant instructions in “Cleaning and care”.

- Clean the inside of the appliance and the accessories.


Using the appliance

The touch display can be scratched by pointed or sharp objects, e.g., pens.
Only touch the display with your fingers.
If your fingers are cold, the touch display may not react.




The symbols underneath the temperature display can be **selected** directly by touch; the symbols and text in or above the temperature display can only be **displayed**.


... in settings mode

- Touch the symbol  to open settings mode.
- Use the arrow buttons < and > to select the function whose settings you wish to adjust.
- Confirm your selection with *OK*.
- Adjust the settings using either the arrow buttons < and > or sensors + and -.
- Confirm your selection with *OK*.

The setting with the **colored** background is always the **selected** setting; it can be confirmed directly with *OK*.

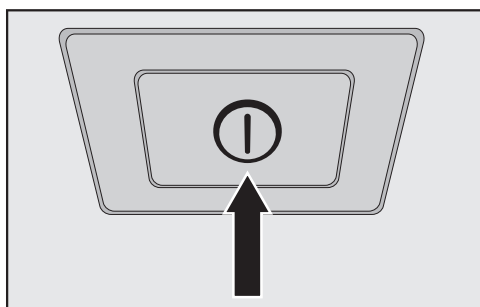
Before first use

- Select  if you wish to switch to the previous menu level or terminate the process.

Every touch of the display is confirmed with an audible keypad tone. You can switch off this keypad tone in settings mode .

Starting up for the first time



- Open the appliance door.




- Turn the appliance on by pressing the On/Off switch.

The appliance will start to cool and the interior lighting will come on when the appliance door is opened.

Miele will then appear in the appliance display.

- When you turn the appliance on for the first time, you will be asked to make following settings:
 - Set the Language
(if you accidentally select the wrong Language, return to settings mode  and use the symbol  to change the language),
 - Set Temperature Unit: °C (degrees Celsius) or °F (degrees Fahrenheit),
 - Set up Miele@home:

- Select Continue if you wish to set up Miele@home now (to do this, following the instructions under “Selecting additional settings”, section “Set up Miele@home”).
- Select Skip if you would prefer to set up Miele@home later.
- Use the < and > arrow buttons to select the correct setting and touch OK to confirm your selection.
- Select  if you want to return to the previous menu level.

Set-up Successfully Completed appears in the display.

- Confirm the first use with OK.

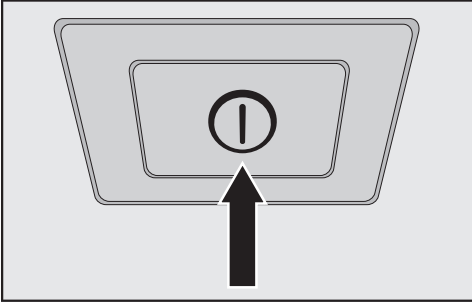
Your appliance has been successfully set up and is ready for use.

The main screen appears on the display.

You cannot terminate the initial start-up process. The only way to terminate the process is to switch off the appliance, though the process will continue when the appliance is switched back on.

Switching on the appliance

- Open the appliance door.



- Turn the appliance on by pressing the On/Off switch.



The appliance will start to cool and the interior lighting will come on when the appliance door is opened.

Miele will then appear on the main screen in the appliance display.

The message **Freezer temperature too high. Max. temperature °F** will appear in the display when the appliance is switched on for the first time and the selected freezer temperature has been reached.

An alarm tone sounds.

- Confirm the message with **OK**.

The message disappears from the display and the alarm tone stops.

However, the message may reappear on the display after a brief delay.

As soon as the selected freezer temperature has been reached, the message will disappear completely from the display and the alarm tone will stop.

To enable the temperature to get sufficiently cold inside the appliance, allow the appliance to run for a few hours before placing food in it. Do not place food in the Freezer Zone until it has reached the required coldness (at least 0°F/-18°C).

Switching off the appliance

- Turn the appliance off by pressing the On/Off switch.

The cooling and interior lighting are switched off.

Please note: The appliance is not disconnected from the power supply when the on/off switch is in the “off” position.

Switching on and off


Turning off for longer periods of time


If the appliance is not going to be used for a longer period of time:


- turn the appliance off,
- unplug the appliance or disconnect the fuse,
- close the shut-off valve in the water supply line (approx. 3 hours before switching off the appliance to avoid the build-up of bacteria caused by stagnant water),
- empty the ice cube tray,
- clean the appliance,
- replace the water filter and
- leave the door ajar to air the appliance and avoid odors building up inside the appliance.

If, during a long absence, the appliance is switched off but not cleaned and the door is left shut, there is a danger of bacteria building up inside the appliance.


Selecting additional settings


In settings mode , certain settings can be adjusted and functions selected, allowing you to adjust the machine to suit your requirements.

The following section only describe the functions in settings mode  that require further explanation.


The door alarm and other warnings are automatically disabled when the appliance is in settings mode .

Switching Keypad Lock on or off /

Switch on Keypad Lock if you wish to protect your appliance from unwanted temperature changes or other unintentional adjustments in settings mode .

- In settings mode , use the < and > arrow buttons to select Keypad Lock and touch OK to confirm your selection.
- Use the arrow buttons < and > to switch the keypad lock On or Off and confirm your selection with OK.
- The keypad lock will not be activated until you close the appliance door.

Nothing will appear in the display to indicate that the keypad lock is switched on.

The message Press OK for 6 seconds to unlock will appear in the display if you select a sensor control while the keypad lock  is switched on.

- Follow the instructions on the display.


The display is unlocked briefly so you can adjust the settings as required. Closing the appliance door will reactivate the keypad lock.


Switching Eco Mode on or off

Eco Mode is useful when going on vacation, for example, if you do not wish to switch off the appliance completely or do not need a high degree of cooling. Energy consumption in Eco Mode is lower than in normal operation.


The Freezer Zone is regulated to a temperature of 3°F (- 16°C).

Ice cube production is deactivated for as long as Eco Mode is switched on.


If the SuperFrost function  is turned on, this will be turned off in Eco Mode.

- In settings mode , use the < and > arrow buttons to select Eco Mode and select OK to confirm your selection.
- Use the arrow keys < and > to switch Eco Mode On or Off and confirm your selection with OK.

The change in temperature to 3°F (- 16°C) on the display is the only indication that Eco Mode is switched on.

Tip: You can also switch off the Eco Mode function by directly adjusting the temperature  (see “The correct temperature”, section “Setting the temperature”).

Selecting additional settings

 Health risk caused by decomposing food.

The usability and quality of food may deteriorate if the temperature remains above 0°F (-18°C) for an extended period.

Only ever switch on the Eco Mode function for a limited period.

When switching to Eco Mode, check that the food in the Freezer Zone is already properly frozen.

Do not freeze any new food while the Eco Mode function is switched on.

- Make a note of the error message(s) displayed.
- Contact Technical Service and inform them of the error message(s) on the display.
- Confirm the message with *OK*.

System Restarting appears in the display.

The appliance briefly switches off and then back on automatically.



Self test completed appears in the display.

- Confirm the message with *OK*.

The main screen appears on the display again.

Performing a Self Test

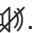
Perform a Self Test if you are concerned that your appliance is not working properly and want to check if it is suffering from any problems.

- In settings mode , use the < and > arrow buttons to select Self Test and select *OK* to confirm your selection.
- Touch the sensor control  if you wish to terminate the process.

The Self Test starts and the appliance is checked for any faults or malfunctions.

- The message System Restarting appears in the display if the Self Test does not discover any faults or malfunctions.
- If the Self Test does discover any faults or malfunctions, they are indicated as error messages in the display.

An alarm also sounds.

- If you find the alarm disruptive, you can switch it off in advance by touching the sensor control .

Switching on Door Assistant

You can choose between the two Door Assistants Push2Open and Pull2Open. The default Door Assistant is Push2Open.


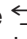
The Push2Open Door Assistant is suitable for cabinet fronts without handles. The door will then open automatically when you gently press against it.

The Pull2Open Door Assistant is suitable for cabinet fronts with handles. The appliance door can be opened easily with little force.

When the Door Assistant is switched on, repeatedly closing the appliance door early can lead to damage or malfunctions.



Refrain from holding onto or closing the appliance door while automatic door opening is still extended. If you have indeed closed the appliance door, leave it closed for 5 minutes. Automatic door opening resets itself.

Switching on Push2Open

- In settings mode , use the < and > arrow buttons to select Door Assistant and select OK to confirm your selection.
- Use the < and > arrow buttons to select Mode and touch OK to confirm your selection.
- Use the < and > arrow buttons to select Push2Open and touch OK to confirm your selection.
- Touch the  sensor control to return to the previous menu level.



- Adjusting the intensity

You can also adjust the intensity of the Push2Open function. The lower the intensity, the less force required when pushing against the door.

- In settings mode , use the < and > arrow buttons to select Door Assistant and select OK to confirm your selection.
- In settings mode , use the < and > arrow buttons to select Intensity and select OK to confirm your selection.
- Use the < and > arrow buttons to select the desired intensity (Low, Medium, High) and touch OK to confirm your selection.

- Adjusting the duration of the Auto-Close function


You can also adjust the duration for how long the appliance door will remain open until it closes automatically.

- In settings mode , use the < and > arrow buttons to select Door Assistant and select OK to confirm your selection.
- In settings mode , use the < and > arrow buttons to select AutoClose and select OK to confirm your selection.
- Use the + and – sensor controls to select the duration (5 to 30 seconds) and touch OK to confirm your selection.

To protect against inadvertent opening: if you do not pull the appliance open, it will close again by itself after a duration defined by you (see “Set AutoClose duration”).



Selecting additional settings

Pull2Open



- In settings mode , use the < and > arrow buttons to select Door Assistant and select OK to confirm your selection.
- Use the < and > arrow buttons to select Mode and touch OK to confirm your selection.
- Use the < and > arrow buttons to select Pull2Open and touch OK to confirm your selection.

- Adjusting the intensity

You can also adjust the intensity of the Pull2Open function. The lower the intensity, the less force required when pulling the door.

- In settings mode , use the < and > arrow buttons to select Door Assistant and select OK to confirm your selection.
- Use the < and > arrow buttons to select the desired intensity (Low, Medium, High) and touch OK to confirm your selection.
- Touch the  sensor control to return to the previous menu level.

Switching off Door Assistant

- In settings mode , use the < and > arrow buttons to select Door Assistant and select OK to confirm your selection.
- Use the < and > arrow buttons to select Mode and touch OK to confirm your selection.
- Use the < and > arrow buttons to select Off and touch OK to confirm your selection.
- Touch the  sensor control to return to the previous menu level.

Setting up Miele@home

Your appliance is equipped with an integrated WiFi module.

Connectivity is deactivated at the factory.

To use this feature, you will need:

- a WiFi network
- the Miele@mobile app
- a Miele user account. The user account can be created via the Miele@mobile app.

The Miele@mobile app will guide you as you connect your appliance to your home WiFi network.

Once your appliance is connected to your WiFi network you can use the app to carry the following activities, for example:

- Make certain settings on your appliance
- Display information on the operating state of your appliance
- Set up a Miele@home network with additional WiFi-capable Miele appliances

Connecting your appliance to your WiFi network will increase energy consumption, even when the appliance is switched off.

Make sure that the signal of your WiFi network is sufficiently strong in the place where you want to set up your appliance.

Miele@mobile app

The Miele@mobile app is available to download free of charge from the Apple App Store® or from the Google Play™ Store.



Please observe and follow the safety information and warnings in these operating instructions including when you are operating your appliance with the Miele@mobile app.

Selecting additional settings

Connecting your appliance via the Miele@mobile app


You will also require the following to log in:

- the password to your WLAN network
- the password to your appliance

Your appliance's password is its serial number, which can be found on the data plate.


You will find the data plate inside your appliance.

- As soon as your appliance has been integrated into your WLAN network, the message **Connection successful** appears in your appliance's display.
- Confirm the process with **OK** again.

If the WLAN connection is active,  will appear in the display.



If your serial number is “78000001” for example, your password will be “78000001”.

- In settings mode , use the **<** and **>** arrow buttons to select **Miele@home** and select **OK** to confirm your selection.


Set up will appear in the display.

- Confirm your selection with **OK**.
- Use the **<** and **>** arrow buttons to select via the **App** and touch **OK** to confirm your selection.
- Open the **Miele@mobile** app and follow the instructions in the app.

Selecting additional settings

Connecting your appliance via WPS

Your router must be equipped with the WPS function for this connection option.


- In settings mode , use the < and > arrow buttons to select Miele@home and select OK to confirm your selection.

Set up will appear in the display.


- Confirm your selection with OK.
- Use the < and > arrow buttons to select via WPS and touch OK to confirm your selection.
- Now follow the instructions in the display.
- Confirm the process with OK.

To be able to use the Miele@home functions, you also have to register your appliance in the app.

- As soon as your appliance has been integrated into your home network via WPS, the message Connection successful appears in the display.
- Confirm the process with OK again.

If the WLAN connection is active,  will appear in the display.

Deactivating Miele@home

- In settings mode , use the < and > arrow buttons to select Miele@home and touch OK to confirm your selection.
- Use the < and > arrow buttons to select Deactivate and touch OK to confirm your selection.

Deactivation successful appears in the display.

- Confirm the message with OK.


Your appliance is now disconnected from your WLAN network.

The  symbol will go out in the display.

Selecting additional settings


Activating Miele@home

If you have already activated Miele@home and then disconnected the connection, you can still reactivate the connection.


- In settings mode , use the < and > arrow buttons to select Miele@home and touch *OK* to confirm your selection.
- Use the < and > arrow buttons to select *Activate* and touch *OK* to confirm your selection.

Activation successful appears in the display.





- Confirm the message with *OK*.

If the WLAN connection is active,  will appear in the display.

Checking the WLAN connection status


- In settings mode , use the < and > arrow buttons to select Miele@home and select *OK* to confirm your selection.
- Use the < and > arrow buttons to select *Connection status* and touch *OK* to confirm your selection.


Information about the WLAN connection status will then appear in the display:

-  connected: there is a strong connection,
-  connected: there is an average connection,
-  connected: there is a weak connection,
- : disconnected.

Setting up Miele@home again

If you have changed your WLAN network, you can set up Miele@home again for your appliance.


- In settings mode , use the < and > arrow buttons to select Miele@home and select *OK* to confirm your selection.
- Use the < and > arrow buttons to select *Set up again* and touch *OK* to confirm your selection.


Reset configuration?  appears in the display.

- Use the < and > arrow buttons to select *Yes* or *No* and touch *OK* to confirm your selection.

Switching off Demo Mode

Demo mode allows the appliance to be presented in the showroom **without the cooling system being switched on**. Do not activate this setting for domestic use.

If Demo mode has been switched on as a default setting,  will show in the display.

- In settings mode , use the < and > arrow buttons to select Demo Mode and select *OK* to confirm your selection.

Press *OK* for 4 seconds to deactivate **ap** appears in the display.

- Follow the instructions on the display and touch and hold the sensor control *OK* for 4 seconds.

The countdown Demo Mode will deactivate in seconds. **will appear in the display**.


Demo Mode deactivated. The appliance will cool down. **appears in the display**.

- Confirm the message with *OK*.

The main screen appears in the display again.

Resetting the settings to their default settings

You can reset the appliance's settings to their default settings.

- In settings mode , use the < and > arrow buttons to select Factory Default and select *OK* to confirm your selection.

- Use the < and > arrow buttons to select Reset and touch *OK* to confirm your selection.






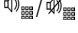










After a brief delay, Settings Reset **ap** appears in the display.

- Confirm the message with *OK*.

The initial start-up process restarts (see “Starting up for the first time”).


Selecting additional settings

The appliance's settings will be reset to the following values:

Function	Default settings
 Language	English
 Display Brightness	Average value (4 of 7 segments)
 Color Scheme	Dark
 /  Buzzer Tones	Average value (4 of 7 segments)
 /  Keypad Tone	Average value (4 of 7 segments)
°F / °C Temperature Unit	°Fahrenheit
 /  Keypad Lock	Switched off
 Eco Mode	Switched off
 Door Assistant	Push2open
 Miele@home	Switched off
 Ice Maker	Switched on
 Sabbath Mode	Switched off
 Water Filter Display	Switched on
 Temperature	0°F (-18°C)


Switching Sabbath Mode On/Off


The appliance offers a Sabbath Mode for the purposes of religious observance.


If Sabbath Mode is switched on,  appears in the display.

When Sabbath Mode is switched on, you cannot make any settings on your appliance.

Ensure that the appliance door is properly closed, as visual and audible alarms are switched off in Sabbath mode.

- In settings mode , use the < and > arrow buttons to select Sabbath Mode and select OK to confirm your selection.
- Use the < and > arrow buttons to select On or Off and touch OK to confirm your selection.

When Sabbath Mode is switched on,  appears in the display and the display brightness is reduced (the display does not change when the appliance door is closed).


When Sabbath Mode  is switched on, the following functions are switched off:

- Door Assistant (for cabinet fronts without handles, the appliance door will have to be pulled from the bottom or side)
- Lighting
- All audible and visual signals,
- Temperature display

Selecting additional settings

- SuperFrost function
(if previously switched on)
- Ice Maker
(if previously switched on)

You can still select:

- The sensor control for Settings Mode  so that Sabbath mode can be switched off.

The Sabbath Mode function will switch off automatically after approx. 125 hours.




Danger of food poisoning!

Any power failure during Sabbath Mode will not be shown on the display. After a power failure, the appliance will restart in Sabbath Mode. When power is restored, no notification of the power failure will appear on the display.


If there is a power failure during Sabbath mode, check the quality of the food.

Switching on, switching off or resetting Water Filter Display

Depending on the quantity of ice cubes produced, the Water Filter Display  will remind you approximately every 6 months that the water filter has to be replaced (see “Water filter”, section “Changing the water filter”).

New water filters (Bypass and Active charcoal filters) are available from Miele, from your dealer, or via the internet.

Switching on Water Filter Display

- In settings mode , use the < and > arrow buttons to select Water Filter Display and select *OK* to confirm your selection.
- Use the < and > arrow buttons to select *On* and touch *OK* to confirm your selection.

The Water Filter Display has been switched on.

Switching off Water Filter Display

If you have replaced the OdorFree charcoal filter with a Bypass filter, you can switch off the Water Filter Display.


Selecting additional settings

Danger to health!

Do not switch off the Water Filter Display if you have installed an Odor-Free charcoal filter in the appliance. This is installed in the appliance prior to delivery.

Only switch off the Water Filter Display if an external water filter has been fitted to your household water supply in place of the OdorFree charcoal filter. In this case, you should also use a mesh filter in place of the OdorFree charcoal filter (see “Optional accessories”).


The reminder function for the next water filter change is activated.

- In settings mode , use the < and > arrow buttons to select Water Filter Display and select *OK* to confirm your selection.
- Use the < and > arrow buttons to select *Off* and touch *OK* to confirm your selection.

The Water Filter Display has been switched off.

Resetting Water Filter Display

After replacing the water filter (see “Water filter”, section “Changing the water filter”), you will have to reset the Water Filter Display.

- In settings mode , use the < and > arrow buttons to select Water Filter Display and select *OK* to confirm your selection.
- Use the < and > arrow buttons to select *Reset* and touch *OK* to confirm your selection.

The message *Replace the water filter* disappears from the display.

The correct temperature


It is very important to set the correct temperature for storing food in the appliance. Bacteria will cause food which is not stored at the correct temperature to deteriorate rapidly. Temperature influences the growth rate of these bacteria. Reducing the temperature reduces their growth rate.

To freeze fresh food and to store frozen food for a long time, a temperature of **0°F (-18°C)** is required. At this temperature the growth of bacteria is generally halted. As soon as the temperature rises above 14°F (-10°C), the bacteria become active in the food again so it cannot be kept as long. For this reason, partially defrosted or defrosted food must not be re-frozen. Food may be re-frozen once it has been cooked, as the high temperatures achieved when cooking destroy most bacteria.

The temperature in the appliance will rise:

- the more often the door is opened and the longer it is kept open,
- the more food that is stored in it,
- the warmer the food is which is being put into it,
- and the higher the ambient temperature surrounding it. The appliance is designed for use within specific ambient temperatures (climate range). Do not use in ambient temperatures for which it is not designed.

Setting the temperature

- Touch the  symbol for setting the temperature.

The previously set temperature will appear.

- Set the temperature you want with the + and – sensor controls. Keeping your finger on the sensor control changes the temperature continuously.
- Confirm the temperature setting with OK or wait approx. 8 seconds after the last touch of the sensor. This temperature will be automatically adopted.

Tip: The newly set temperature can also be confirmed and adopted by closing the appliance door.

The temperature display always shows the **required** temperature.

If you have adjusted the temperature, **wait for approximately 6 hours if the appliance is not very full and for approximately 24 hours if the appliance is full** before checking the temperature display. It will take this long for an accurate reading to be given.

- If, after this time, the temperature is still too high or too low, adjust it again.

Temperature range

The temperature can be adjusted from 7°F (-14°C) to -11°F (-24°C).

The correct temperature

The ambient temperature in the room and the installation location can affect the time it takes for the appliance to reach the lowest temperature.

If the ambient temperature is too high, the appliance may not reach the lowest temperature.

Temperature and door alarm

The appliance has been fitted with a warning system which ensures that the temperature in the freezer cannot rise unnoticed and to avoid energy being wasted if the door is left open.

Temperature alarm

The message **Freezer temperature too high. Max. temperature °F** appears in the display if the temperature becomes too warm.

An alarm will also sound.

The temperature display will show the highest temperature that was reached during the time the temperature rose.

The audio and visual signals are triggered, for example:

- when the appliance is switched on and the temperature in the appliance differs greatly from the set temperature,
- if a lot of warm room air enters the freezer when food is being loaded, rearranged, or taken out,
- when freezing large amounts of food at once,
- when freezing fresh food which is still warm,
- after an extended power failure.

The alarm will be silenced and the fault message in the display will go out as soon as the reason for the alarm has been resolved.

If the temperature in the freezer remains above 0°F (-18°C) for a long time, check that the frozen food has not started to defrost. If it has, use the food as soon as possible or cook it before freezing it again.

Turning the temperature alarm off early

If the alarm disturbs you, it can be turned off early.

- Touch the **OK** sensor button in the display.

The alarm stops and the message disappears from the display.

Door alarm

An alarm will sound if the appliance door has been left open for longer than approx. 2 minutes.

The message **Close the door** also appears in the display.

As soon as the door is closed, the alarm will stop and the message in the display will go out.

Turning the door alarm off early

If the alarm disturbs you, it can be turned off early.

- Touch the **OK** sensor control in the display.

The alarm stops and the message disappears from the display.

After a certain time the alarm will sound again and the message will reappear in the display until the appliance door is closed.

Using SuperFrost

SuperFrost function

For best results, turn on the SuperFrost function before putting fresh food into the freezer.



Fresh food will be frozen quickly, so that the nutritional value, vitamin content, appearance, and taste are maintained.


Exceptions:

- Placing food in the freezer that is already frozen.
- When freezing up to 4.4 lb (2 kg) kg fresh food daily.


Turning on SuperFrost

SuperFrost should be turned on **4–6 hours before placing food in the freezer**. When freezing the **maximum amount of food**, the SuperFrost function should be switched on **24 hours beforehand**.

- Touch the  symbol for setting the temperature.
- Then touch the  symbol for turning on the SuperFrost function.


The  symbol is highlighted in color and the newly set temperature value of -22°F (-30°C) appears in the display.


- Confirm the setting with *OK* or wait approx. 8 seconds after the last press of the button. The setting will be automatically adopted.


The  symbol is now illuminated in the display.


The appliance will now run at maximum power.

Turning off SuperFrost


- Touch the  symbol for setting the temperature.

The  symbol is highlighted in color and the temperature value of -22°F (-30°C) is shown in the display.

- Touch the  symbol for turning off the SuperFrost function.

The  symbol is no longer highlighted in color and the previous temperature setting appears again in the display.

- Confirm the setting with *OK* or wait approx. 8 seconds after the last press of the button. The setting will be automatically adopted.

The  symbol disappears from the temperature display.

The appliance will then continue running at normal power.

If you do not turn off the SuperFrost function, it will turn itself off automatically after approx. 54 hours. The quantity of fresh food placed in the freezer will determine the duration before the SuperFrost function turns off.

The appliance will then run at normal power again.

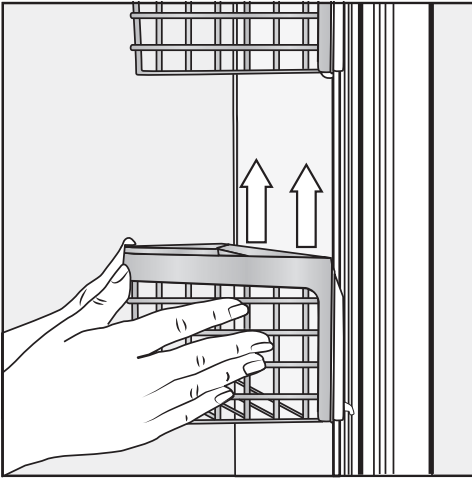
Tip: To save energy, you can manually switch off the SuperFrost function once the freezer reaches a **constant** temperature of 0°F (-18°C) or colder. Monitor the temperature in the freezer.

Adjusting the interior fittings

Moving the shelves in the appliance door

Danger of injury!
Only move the shelves in the door when they are empty.

The shelves can be moved when loading and unloading it and for cleaning or they can be removed completely.

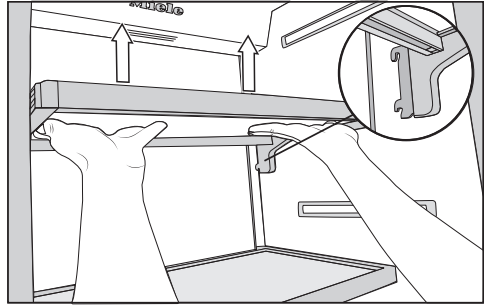


- Hold the shelf on the frame with both hands and lift it slightly so that it can be lifted with the catches on both sides over the guide.
- Remove the shelf or place it in the required position at the back with the catches in the guides at the same height.
- Make sure that the shelf is straight.

For the purposes of loading and unloading or cleaning, the baskets in the shelves can be removed from their holders completely.

Moving the adjustable shelves

If necessary, the adjustable shelves can be removed or their height can be adjusted:

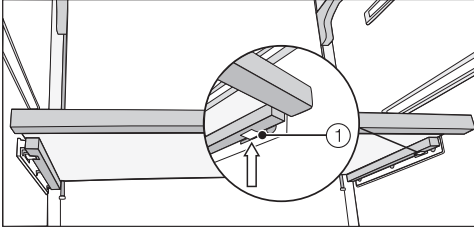


- Hold the shelf on both sides and raise it slightly so that it can be lifted with the catches over the guide at the back.
- Pull the shelf forwards.
- Remove the shelf or place it in the required position, with the catches engaged at the back.
- Make sure that the shelf is straight.

Adjusting the interior fittings

Removing the shelf above the Ice Maker

The shelf above the Ice Maker can be removed:



- Use both hands to grip the front of the shelf from below and press it on both sides until you feel resistance ①.

Risk of damage when pulling out and inserting the shelf.

When pulling out and inserting the shelf, make sure that the side walls are not damaged.

- Carefully pull the shelf out to the front.
- To insert it, slide the shelf slowly onto the guide on both sides and then slide it all the way in.

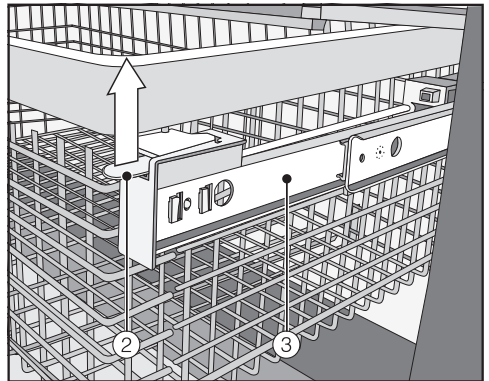
Removing the freezer baskets

The freezer baskets can also be removed if necessary (e.g., for cleaning).

- Open the appliance door as wide as possible.

The opening angle of the appliance door must not be limited to 90° because otherwise the freezer baskets cannot be removed.

- Pull the freezer basket out as far as it will go.



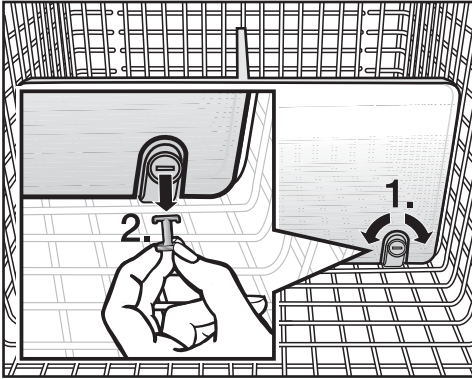
- Raise the snap fastening ② on both sides, unclip and carefully lift the basket out.
- To replace it, pull the telescopic rails ③ out as far as they will go.
- Place the freezer basket back in again.
- Slide the basket all the way back in again until it engages in the snap fastening.

Adjusting the interior fittings

Removing the dividing panel (depending on the model)

The dividing panel in the freezer basket can be removed for cleaning:

The dividing panel is secured to the freezer basket with brackets.



- Pull the freezer basket out as far as it will go.
- To release the brackets, use a suitable object to turn the slots in the pegs to a horizontal position (1.).
- Remove the pegs from the brackets (2.).
- Pull the dividing panel upwards to remove it.
- To reinsert the partition wall, place the brackets in an upright position, and position the dividing panel into the brackets so that you hear it click into place.
- Insert the pegs into the brackets, and use a suitable object to turn the slots in the pegs into a vertical position.
- Push the freezer basket all the way back in.

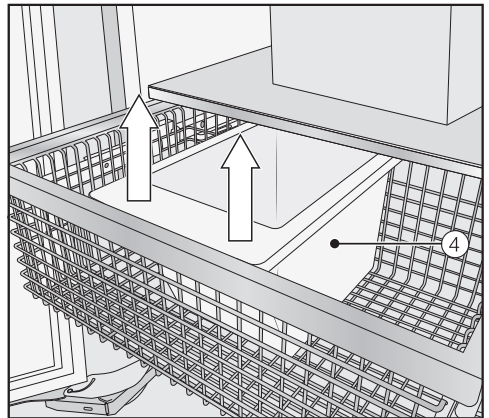
Removing the ice cube tray

The ice cube tray can be removed for cleaning.

- Open the appliance door as far as it will go.

The opening angle of the appliance door must not be limited to 90° because otherwise the freezer baskets cannot be removed.

- Pull the upper freezer basket out as far as it will go.



- Tilt the ice cube tray (4) forwards and pull it up and out to remove it.

Ice cube production does not stop when the ice cube tray has been removed. Ice cubes can fall into the freezer basket underneath.


Only remove the ice cube tray for the shortest time possible or switch off the Ice Maker beforehand (see “Making ice cubes”, section “Switching off the Ice Maker”).

- To replace the ice cube tray, pull the upper freezer basket out again as far as it will go.

Adjusting the interior fittings

- Insert the ice cube tray with the rear-most side first, so that it engages.
- Push the upper freezer basket all the way back in.

Always observe USDA food safety guidelines.

 Risk of fire from electrical appliances.

Operating electrical devices in the appliance can cause sparks to form. Do not operate any electrical devices inside the appliance.

Maximum freezing capacity

To ensure that fresh food placed in the freezer freezes through to the core as quickly as possible, the maximum freezing capacity must not be exceeded.

What happens when you freeze fresh food?

Fresh food should be frozen as quickly as possible so that the nutritional value of the food, its vitamin content, appearance and flavor are maintained.

Food which takes a long time to freeze will lose more water from its cells, which then shrink. During the defrosting process, only some of this water is re-absorbed by the cells. What this means in practice is that the food loses more moisture. You can see this in the large amount of water that collects around the food when it defrosts.

If food is frozen quickly, the cells have less time to lose moisture, so they shrink less. As there is not so much moisture loss, it is easier for the food to reabsorb it during the defrosting process, and very little water collects around the defrosted food.

Storing frozen food

Never re-freeze partially or fully defrosted food. Defrosted food may only be re-frozen after it has been cooked.

When buying frozen food to store in your freezer, make sure to check:

- that the packaging is not damaged,
- the expiration date and
- the temperature at which the frozen food is being stored in the store.

The length of time food can be kept is reduced if it has been stored at a temperature warmer than 0°F (-18°C).

- Buy frozen food at the very end of your shopping trip.
- Store it in the freezer compartment as soon as possible.

Freezing and storing food

Home freezing

Only freeze food that is fresh and in good condition.

Tips for home freezing

- The following types of food are **suitable for home freezing**: fresh meat, poultry, game, fish, vegetables, herbs, fresh fruit, dairy products, baked goods, leftovers, egg yolks, egg whites, and a range of pre-cooked meals.
- The following types of food **are not suitable for freezing**: lettuce, radishes, sour cream, mayonnaise, whole eggs in their shells, onions, whole raw apples and pears.
- To retain color, taste, aroma, and vitamin C, vegetables should be blanched before they are frozen. To do so, place them portion by portion into boiling water for 2–3 minutes. Then, remove and plunge the vegetables into ice-cold water to cool quickly. Leave the vegetables to drain.
- Lean meat freezes better than fatty meat and can be stored for considerably longer.
- Separate chops, steaks, cutlets, etc. with a sheet of plastic freezer film. to prevent them from freezing together in a block.
- Do not season raw food or blanched vegetables with herbs or salt before freezing. Cooked food should only be lightly seasoned. The flavor of some herbs intensifies when frozen.

- Placing hot food or drink in the freezer causes food that is already frozen to partially thaw and increases energy consumption. Allow hot food and drink to cool down before placing it in the freezer.

Packaging food for freezing

- Freeze food in portions.
 - **Suitable packaging**
 - Plastic films
 - Freezer bags
 - Aluminum foil
 - Freezer containers
 - **Unsuitable packaging**
 - Packing paper
 - Parchment paper
 - Cellophane
 - Garbage bags
 - Plastic shopping bags
 - Remove as much air as possible from the packaging before sealing.
 - Close the packaging tightly with
 - rubber bands,
 - bag clips,
 - string or bag ties, or
 - freezer tape.
- Tip:** Freezer bags and poly tubing may also be sealed using home heat sealing kits.
- Label the packaging with the contents and the date of freezing.

Freezing and storing food

Before placing food in the freezer

- When freezing more than 4.4 lb (2 kg) of fresh food, switch on the SuperFrost function some time before placing the food in the freezer (see “SuperFrost”).

This helps food which is already stored in the freezer to stay frozen.

Placing food in the Freezer Zone

Food to be frozen can be placed anywhere in the Freezer Zone. Preferably freeze food in the top freezer basket, as this is the best location for quick and gentle freezing.

- Place the food flat in the bottom of the basket so that it freezes through to the core as quickly as possible.
- When placing items in the Freezer Zone, ensure that the packaging and containers are dry to prevent them from freezing together or to the walls.
- Slide the freezer baskets in as far as they will go.
- Please follow the guidelines in the table below regarding recommended weights for the baskets:

	Upper freezer basket	Lower freezer basket
F 2411 Vi/SF	26 lb (12 kg)	26 lb (12 kg)
F 28x1 Vi/SF	62 lb (28 kg)	62 lb (28 kg)
F 29x1 Vi/SF	79 lb (36 kg)	79 lb (36 kg)

Unfrozen food should not touch frozen food, as this will cause the frozen food to begin to thaw.

Storage time for frozen food

The storage life of food is very variable, even at a constant temperature of 0°F (-18°C). Decomposition processes also take place in frozen food, albeit at a very reduced speed. Fat can become rancid from contact with oxygen in the air, for example. This is why lean meat can be stored approx. twice as long as fatty meat.

The storage times quoted are guide values for the storage life of different food groups in the Freezer Zone.

Freezing and storing food

Food group	Storage time (Months)
Ice cream	2 to 6
Bread, baked goods	2 to 6
Cheese	2 to 4
Fish, oily	1 to 2
Fish, lean	1 to 5
Sausage, ham	1 to 3
Game, pork	1 to 12
Poultry, beef	2 to 10
Vegetables, fruit	6 to 18
Herbs	6 to 10

Where the storage time given on the packaging differs, follow the advice on the packaging.

Defrosting

Frozen food can be defrosted in different ways:

- in a microwave,
- in an oven using “Convection” or the “Defrost” setting,
- at room temperature,
- in the Fridge Zone (the cold given off by the frozen food helps to keep the other food cold),
- in a steam oven.

Flat pieces of partially thawed meat or fish can be placed directly into a hot skillet.

Meat and poultry (e.g., hamburgers, chicken, fish) should not come into contact with other foods while defrosting. Catch the defrosting liquid and dispose of it carefully.

Fruit can be thawed at room temperature, either in the packaging or in a covered bowl.

Most vegetables can be cooked while still frozen. Just put straight into boiling water or hot grease. The cooking time is slightly less than that of fresh vegetables due to changes in the cell structure.

Never re-freeze partially or fully defrosted food. Defrosted food may only be re-frozen after it has been cooked.

Cooling drinks quickly

When chilling drinks in the freezer, make sure that bottles are not left in for **more than one hour**. Otherwise they could burst.


For the automatic ice maker to operate, it must be connected to a water supply (see “Water connection”).

CAUTION

The first three batches of ice cubes made after the ice maker is started up must not be consumed, as the water will have been used for the initial rinse through the water supply line.

This applies to the initial commissioning as well as when using the appliance again after it has been turned off for a long while.

Switching on Ice Maker

- Make sure that the ice cube tray is correctly located underneath the Ice Maker.
- In settings mode , use the < and > arrow buttons to select *Ice Maker* and select *OK* to confirm your selection.
- Use the < and > arrow buttons to select *On* and touch *OK* to confirm your selection.

Once the Freezer Zone has cooled down to its set temperature, the Ice Maker will fill with water.

As soon as the water is frozen, the ice cubes drop out of the Ice Maker into the ice cube tray.

Ice cube production is halted automatically as soon as the ice cube tray is full.

The Ice Maker can make up to 2,9 lb (1.3 kg) of ice cubes in 24 hours.

The amount of ice cubes made by the appliance depends on the temperature in the freezer. The lower the temperature, the more ice cubes are produced.

After the setting up the appliance for the first time, it can take up to 10 hours for the first ice cubes to drop out of the Ice Maker and collect in the tray.

Do not place any bottles or food into the Ice Maker to chill them quickly. The Ice Maker could become blocked and, as a result, be damaged.

Empty the ice cube tray at regular intervals, or at least if you have not produced any ice for more than a week. This will ensure that you always have fresh ice and the ice cubes will not form a clump.


Ice cube production does not stop when the ice cube tray has been removed. Ice cubes can fall into the freezer basket underneath.


Only remove the ice cube tray **for the shortest possible time** or switch off the Ice Maker before removing it.

Making ice cubes

Switching off Ice Maker

The Ice Maker can be turned off independently of the Freezer Zone if you do not want to make any ice cubes.

- Close the shut-off valve in the water supply line (approx. 3 hours before switching off the appliance to avoid the build-up of bacteria caused by stagnant water).
- In settings mode , use the < and > arrow buttons to select Ice Maker and select *OK* to confirm your selection.
- Use the < and > arrow buttons to select Off and touch *OK* to confirm your selection.

 **WARNING! DANGER** of injury and damage!


Do not use any mechanical or other types of aids which are not recommended by the manufacturer to accelerate the defrosting process.

The appliance is equipped with a “NoFrost” system. The freezer defrosts automatically.


The moisture generated in the appliance collects on the condenser and is automatically defrosted and evaporates periodically.

This automatic defrosting system enables the Freezer Zone to remain permanently ice-free. However, the food stored in the freezer will not defrost.

Cleaning and care

 **WARNING! DANGER** of electric shock!

Unplug the appliance or trip the circuit breaker.

 **WARNING! Fire hazard!**

Do not damage the coolant pipework.

Do not let water get into the electronic unit or the lighting.

Do not use a steam cleaner. Steam from a steam cleaning appliance could reach the electrical components and cause a short circuit.

The data plate located inside the appliance must not be removed. It contains information which is required in the event of a service call.

Cleaning agents

To avoid damaging the surfaces of your appliance, **do not** use

- cleaning products containing soda, ammonia, acid, or chloride,
- lime scale removers,
- abrasive cleaning products, such as scouring powder, scouring liquid, or pumice stones,
- cleaners containing solvents,
- stainless steel cleaners,
- dishwasher detergent,
- oven sprays,
- glass cleaning agents,
- hard, abrasive sponges and brushes, such as pot scrubbers,
- eraser sponges,
- sharp metal scrapers.

Cleaning and conditioning agents used inside the appliance must be food safe.

Use warm water and liquid dish soap.

The following pages contain important information on cleaning.

Before cleaning the appliance

- Turn the appliance off completely by pressing the On/Off switch.
- Unplug the appliance or switch off the fuse.
- Take any food out of the appliance and store it in a cool place.
- Take out all other removable parts for cleaning (see “Adjusting the interior fittings”).

Interior and accessories

Clean the appliance regularly, or at least once a month.

Clean up any spills, stains, or food immediately. Do not allow them to dry and stick to the appliance.

- Clean the appliance with a solution of lukewarm water and liquid dish soap. Rinse all parts by hand. Do not wash in a dishwasher.
- After cleaning, wipe with clean water and dry with a soft cloth.
- Leave the door open to air the appliance sufficiently for a short while and to prevent odor buildup.

Aluminum frames

The frames to the shelves inside the appliance and the door shelves are partially made from aluminum.

Aluminum is a dynamic material. The reflection and appearance of aluminum changes in different lights and environments and depending on the angle you observe it from. It is also susceptible to scratching.

The aluminum frames may become discolored or damaged if soiling is left on for too long. Remove any soiling immediately.

Cleaning and care

Cleaning the door seal

Do not use any grease or oil on the door seal as these will cause the seal to deteriorate and become porous over time.

- The door seal should be cleaned regularly with clean water and then wiped thoroughly dry with a soft cloth.

Cleaning the ventilation grilles

A build-up of dust will increase the energy consumption of the appliance.

- The air vents should be cleaned on a regular basis with a brush or vacuum cleaner (you could use a Miele vacuum cleaner dusting brush, for example).

After cleaning


- Replace all shelves and accessories in the appliance.
- Reconnect to the power supply and switch the appliance back on.
- Switch on the SuperFrost ❄️ function for a while so that the Freezer Zone can cool down quickly.
- Once the freezer has reached the required temperature, place the food back in the freezer baskets.
- Switch off the SuperFrost ❄️ function as soon as the temperature in the Freezer Zone is a constant 0°F (-18°C) or colder.

Frequently Asked Questions

With the help of the following guide minor faults in the performance of the machine, some of which may result from incorrect operation, can be remedied without contacting the Service Department.

This guide may help you to find the reason for the fault, and how to correct it.

To prevent cold from escaping, open the appliance doors as little as possible until the fault has been corrected.

Problem	Possible cause and solution
<p>If you are concerned that your appliance is not working properly, you can perform a Self Test. Your appliance will be checked for any faults or malfunctions.</p>	<p>Any errors identified during the Self Test are shown on the display.</p> <ul style="list-style-type: none"> ■ Perform a Self Test (see “Additional settings”, section “Performing a Self Test ”). ■ Contact Technical Service and inform them of the error message(s) on the display.
<p>The appliance is not getting cold and the interior lighting does not come on when the appliance door is opened.</p>	<p>The appliance has not been turned on.</p> <ul style="list-style-type: none"> ■ Turn the appliance on. The temperature appears in the display.
	<p>The plug is not properly plugged into the electrical socket.</p> <ul style="list-style-type: none"> ■ Insert the plug into the socket.
	<p>The fuse has tripped. There could be a fault with the appliance, the household electrical wiring, or another appliance.</p> <ul style="list-style-type: none"> ■ Contact a technician or the Technical Service department.


Frequently Asked Questions

Problem	Possible cause and solution
<p>The compressor is turning on more frequently and for longer periods of time; the temperature in the appliance is too low.</p>	<p>The ventilation gaps in the cabinetry have been covered or become too dusty.</p> <ul style="list-style-type: none"> ■ Do not block the ventilation gaps. ■ Clean the ventilation gaps on a regular basis to remove any dust.
	<p>The door has been opened too frequently, or a large amount of fresh food has been placed inside and/or frozen at the same time.</p> <ul style="list-style-type: none"> ■ Only open the door when necessary and for as short a time as possible. <p>After a while, the temperature will return to normal by itself.</p>
	<p>The appliance door is not properly closed. A thick layer of ice may have already formed in the freezer.</p> <ul style="list-style-type: none"> ■ Close the appliance door. <p>After a while, the temperature will return to normal by itself.</p> <p>If a thick layer of ice has already formed, this will affect cooling and increase energy consumption.</p> <ul style="list-style-type: none"> ■ Defrost the appliance and clean it.
	<p>The ambient temperature is too high. The higher the ambient temperature, the longer the compressor has to run.</p> <ul style="list-style-type: none"> ■ See the “Installation location” section in the “Installation information”.
	<p>The appliance was not properly installed in the niche.</p> <ul style="list-style-type: none"> ■ See the “Installation information” and “Building in the appliance” sections.

Frequently Asked Questions

Problem	Possible cause and solution
The compressor is turning on more frequently and for longer periods of time; the temperature in the appliance is too low.	The temperature setting is too low. ■ Correct the temperature setting.
	A large amount of food was put in for freezing at once. ■ See the information in the section on “Freezing and storing food”.
	The SuperFrost function is still turned on. ■ To save energy, you can switch the SuperFrost function off early yourself.

Frequently Asked Questions









Problem	Possible cause and solution
<p>The compressor comes on less and less often and for shorter periods of time. The temperature in the appliance rises.</p>	<p>This is not a fault. The temperature setting is too high.</p> <ul style="list-style-type: none"> ■ Correct the temperature setting. ■ Check the temperature again after 24 hours. <p>The food begins to thaw. The room temperature is too low for this appliance. If the room temperature is too low, the compressor will run less frequently. This may cause the freezer to become too warm.</p> <ul style="list-style-type: none"> ■ See the “Installation location” section in the “Installation information”. ■ Increase the room temperature.
<p>The door to the Freezer Zone will not open because it has been opened and closed too many times in succession.</p>	<p>This is not a fault. The suction caused by opening and closing the door is preventing the door from opening. Wait approx. 1 minute and then try again. It should now open without force.</p>
<p>The compressor runs continuously.</p>	<p>Not a fault. To save energy, the compressor runs at a lower speed when less cooling is required. This increases the compressor run time.</p>
<p>The temperature display shows 0°F (-18°C), although a higher temperature is set.</p>	<p>This is not a fault. When the ice maker is turned on and the ambient room temperature is also low (< + 0°F (-18°C)) the temperature is automatically adjusted to -0°F (-18°C). This guarantees that the ice maker functions efficiently.</p>
<p>Food has frozen together or to the wall.</p>	<p>The food packaging was not dry when loaded in the freezer.</p> <ul style="list-style-type: none"> ■ Use a blunt instrument (such as a spoon handle) to carefully pry them apart.
<p>An alarm sounds.</p>	<p>The appliance door has been open for longer than 3 minutes.</p> <ul style="list-style-type: none"> ■ Close the appliance door.
<p>No alarm sounds despite the appliance door being open.</p>	<p>You have switched off the audible signal.</p> <ul style="list-style-type: none"> ■ Switch the audible signal back on using Settings mode .

Messages in the display

Message	Possible cause and solution
<p>The warning sounds and the message Freezer temperature too high. Max. temperature °F appears in the display.</p>	<p>The temperature in the appliance has risen significantly.</p> <p>This could be due to, for example:</p> <ul style="list-style-type: none"> – the appliance door being opened too often, or being left open, – a large amount of food being frozen at once, – an extended power failure <p>■ If you find the alarm disruptive, you can switch it off in advance by touching the sensor control OK.</p> <p>The alarm will stop.</p> <p>■ Rectify the cause of the alarm.</p> <p>The alarm stops and the error message disappears from the display.</p> <p>The temperature display will show the highest temperature that was reached during the time the temperature in the Freezer Zone rose.</p> <ul style="list-style-type: none"> ■ Depending on the temperature displayed, you should check whether food in the freezer has started to thaw or has defrosted. If it has, cook it before freezing it again. ■ In the event of a power failure, check whether there are any ice cubes in the ice cube tray and dispose of these. Otherwise, the ice cubes will freeze together and can damage the ice cube container when they expand.
<p>The warning sounds and the message Close the door appears in the display.</p>	<p>The appliance door is open.</p> <ul style="list-style-type: none"> ■ Close the appliance door. ■ If you wish to turn the alarm off early, touch the sensor control OK in the display. <p>The alarm will stop.</p>
<p>Replace the water filter appears in the display.</p>	<p>Change the water filter (see “Water filter”).</p> <ul style="list-style-type: none"> ■ You can order a replacement filter from your Miele dealer.

Frequently Asked Questions

Messages in the display

Message	Possible cause and solution
<p>The temperature display is dark and  is shown in the display.</p>	<p>Sabbath Mode is turned on: The interior lighting is turned off and the appliance is cooling down.</p> <ul style="list-style-type: none"> ■ You can switch off Sabbath Mode at any time (see “Selecting additional settings”, section “Switching Sabbath Mode on and off”).
<p>“F Please contact Miele Technical Service.”  appears in the display and an alarm sounds.</p>	<p>There is a fault.</p> <ul style="list-style-type: none"> ■ Make a note of the fault message if necessary. ■ Contact Technical Service. ■ To turn the alarm off, touch the  symbol. <p>The error message does not disappear from the display until the error has been rectified.</p> <hr/> <p>The voltage level is too high/low.</p> <ul style="list-style-type: none"> ■ Observe the connection data under “Electrical connections”. ■ Contact Technical Service if necessary. ■ To turn the alarm off, touch the  symbol. <p>The error message does not disappear from the display until the error has been rectified.</p>
<p> is shown in the display. The machine does not get cold, but the machine controls are working.</p>	<p>Demo Mode  is switched on. Demo mode allows the appliance to be presented in the showroom without the cooling system being turned on. Do not activate this setting for domestic use.</p> <ul style="list-style-type: none"> ■ Switch off Demo mode  (see “Selecting additional settings”, section “Switching off Demo Mode ”).

Frequently Asked Questions

Problems with the ice cube maker

Problem	Possible cause and solution
The Ice Maker is not producing any ice cubes.	The appliance and/or the Ice Maker is not turned on. <ul style="list-style-type: none">■ Turn on the appliance and/or the Ice Maker.■ Check whether the water filter has been inserted correctly (see “Water filter”, section “Changing the water filter”).
	The plumbed water connection was not installed. <ul style="list-style-type: none">■ Make sure that the plumbed water connection was installed correctly.
	The water intake is not open or has not been vented. <ul style="list-style-type: none">■ Open the water intake.■ Check that the water supply has been vented.
	There is a kink in the water hose. <ul style="list-style-type: none">■ Check the water hose and replace it, if necessary.
	The temperature in the Freezer Zone is too high. <ul style="list-style-type: none">■ Select a lower temperature.
	The appliance door has been opened too frequently, causing the compressor to turn on more often and the Ice Maker has iced up. <ul style="list-style-type: none">■ Only open the door when necessary and for as short a time as possible.
	The water pressure is too low. <ul style="list-style-type: none">■ Check that the water pressure is between 29 and 116 psi (2 and 8 bar).■ Check if an incorrect valve has been installed, making the pressure too low. Remember that it can take up to 10 hours for the production of ice cubes to commence.

Frequently Asked Questions

Problems with the ice cube maker

Problem	Possible cause and solution
The Ice Maker is producing only small ice cubes.	Several household appliances connected to the plumbed water connection are in operation, which has reduced the amount of water being taken in. ■ Avoid using the dishwasher, washing machine, etc. at the same time.
	The water filter is clogged. ■ Check whether the water filter needs to be changed (see “Water filter”).
	The water pressure is too low. ■ Check that the water pressure is between 29 and 116 psi (2 and 8 bar). ■ Check if an incorrect valve has been installed.
The ice maker is producing only a few or deformed ice cubes.	The water filter is clogged. ■ Check whether the water filter needs to be changed (see “Water filter”).
	The water pressure is too low. ■ The water pressure must be between 29 and 116 psi (2 and 8 bar).
	The temperature in the freezer is too high. ■ Select a lower temperature.





Frequently Asked Questions

Problems with the ice cube maker

Problem	Possible cause and solution
<p>The ice cubes have an unpleasant odor or flavor.</p>	<p>The ice cube container is in constant use and needs to be cleaned regularly.</p> <ul style="list-style-type: none"> ■ Check if the ice cube container is dirty and clean it if necessary.
	<p>The ice maker is seldom used. If you do not use it very often, ice cubes that are stored for a long period can absorb the taste and smell of other items.</p> <ul style="list-style-type: none"> ■ Empty the ice cube container if you are not going to use it for a long time.
	<p>There are unsealed packages in the freezer. Ice can absorb the taste and smell of unsealed food.</p> <ul style="list-style-type: none"> ■ Store only sealed food in the freezer.
	<p>The water filter is dirty.</p> <ul style="list-style-type: none"> ■ Check whether the water filter needs to be changed (see “Water filter”).
<p>Water is flowing out of the appliance.</p>	<p>The water intake is faulty.</p> <ul style="list-style-type: none"> ■ Close the water shut-off valve immediately! ■ Check the water line for damage. ■ Contact Miele Technical Service. ■ Check whether the water pressure is too high
	<p>Too high water pressure can cause leakages.</p> <ul style="list-style-type: none"> ■ Check that the water pressure is between 29 and 116 psi (2 and 8 bar). ■ Check if an incorrect valve has been installed.

Frequently Asked Questions

The interior lighting is not working.

Problem	Possible cause and solution
The interior lighting is not working.	<p>The appliance has not been turned on.</p> <ul style="list-style-type: none">■ Turn the appliance on.
	<p>Sabbath Mode is switched on: The temperature display is dark and  is shown in the display.</p> <ul style="list-style-type: none">■ You can switch off Sabbath Mode at any time via Settings mode .
	<p>There is a fault.</p> <div data-bbox="404 504 1039 699" style="border: 1px solid gray; padding: 5px;"><p> Risk of electric shock! There are live electrical components under the lighting cover. The LED lighting may only be repaired or replaced by Technical Service.</p></div> <div data-bbox="404 715 1039 1002" style="border: 1px solid gray; padding: 5px;"><p> Risk of injury from LED lighting! The light intensity corresponds to laser beam class 1/1M. The lighting covers must not be removed or damaged, or be removed due to damage. This could cause injury to your eyes. Do not look into the LED lighting (laser beam class 1/1M) with optical instruments (e.g., a magnifying glass).</p></div>
	<ul style="list-style-type: none">■ Contact Technical Service.

Causes of noises

Normal noises	Cause
Brrrrr...	A humming noise is made by the motor (compressor). This noise can get louder for brief periods when the motor switches on.
Blub, blub...	A gurgling noise can be heard when the coolant circulates through the pipes.
Click...	Clicking sounds occur whenever the thermostat switches the motor on or off.
Sssrrrrr...	You can sometimes just hear the sound of the fan inside the appliance.
Crack...	A cracking sound can be heard when materials expand inside the appliance.
Please bear in mind that a certain amount of noise is unavoidable (from the compressor and the coolant circulating through the system).	

Noises	Cause and solution
Rattling, clinking	The appliance is uneven. Realign the appliance using a level, by raising or lowering the adjustable feet underneath the appliance or placing something underneath it.
	The appliance is touching another machine or piece of furniture. Move it away.
	Drawers, baskets or shelves are jiggling or are stuck. Check all removable parts and refit them correctly if required.
	Bottles or containers are touching each other. Separate them a little.

Water filter

The appliance is supplied with a water filter (OdorFree charcoal filter) that filters supply water for making ice cubes.

The OdorFree charcoal filter improves the taste and smell of the ice cubes by removing chlorine and other substances from supply water.

To ensure the quality of the ice cubes remains high, it is essential to change the water filter regularly.

Please note:

- After inserting a new water filter, dispose of all ice cubes produced in the next 24 hours following the change.
- If you have not used the appliance or the ice maker much in the last few weeks, or if the ice cubes smell unpleasant, install a new water filter.
- If an external water filter is fitted to your household water supply, use a Bypassfilter in place of an OdorFree charcoal filter.

In this case, you can switch off the Water Filter Display (see “Selecting additional settings”, section “Switching off the Water Filter Display”).

New water filters (Bypass filters and OdorFree charcoal filters) are available from Miele Technical Service, from your dealer, or via the internet.

The reminder to change the water filter is issued approx. every 6 months, depending on the quantity of ice cubes produced.

A reminder to change the water filter appears in the display: Replace the water filter.

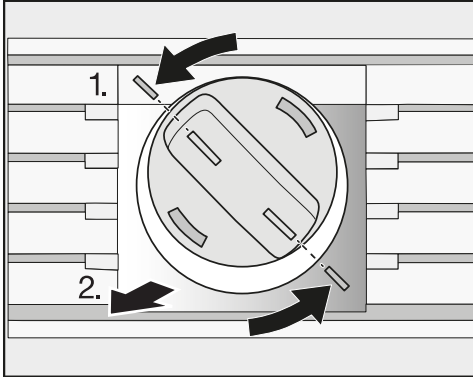
An audible signal also sounds.

- Confirm the message with *OK*.
- Change the water filter.

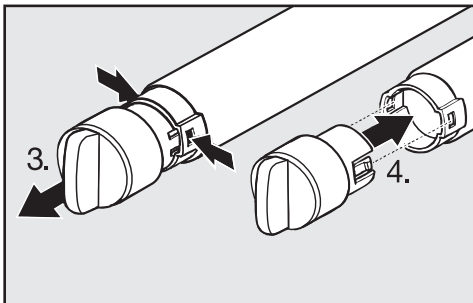
The reminder to change the water filter keeps appearing until you change the water filter and reset the Water Filter Display (see “Selecting additional settings”, section “Switching on, switching off or resetting Water Filter Display”).

Changing the water filter

Air in the system can cause water to gush out and the filter to spring out when it is removed. Take great care when changing the water filter.

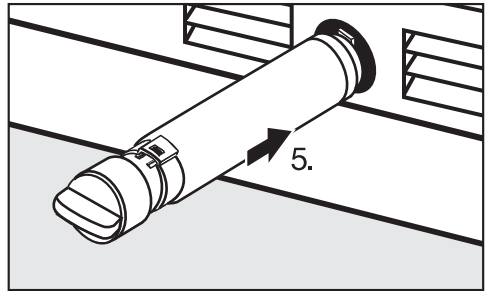


- Turn the cap of the water filter **counter-clockwise** as far as the marker 1.).
- Pull the used water filter out of the filter opening 2.).
- Remove the safety cap from the new water filter.

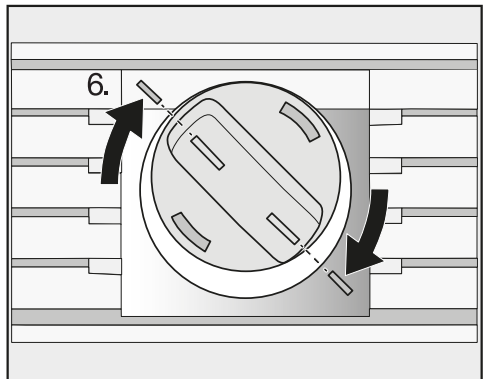


- Remove the cap from the old water filter 3.) and place it onto the new water filter 4.).
- Drain the water from the old water filter.

Tip: The old water filter can be disposed of with household trash.



- Slide the new water filter as far as it will go into the filter opening 5.), making sure the cap is horizontal.




- Turn the cap of the water filter **clockwise** as far as the marker 6.).


⚠ Risk of damage caused by water gushing out.


If the water filter is not fitted correctly, there is a risk of water leaking out of the appliance.

When fitting the water filter, be sure to turn it as far as the marker.

Once you have changed the water filter, the Water Filter Display  remains lit up.

Water filter

- Now reset the Water Filter Display using Settings mode  in the display (see “Selecting additional settings”, section “Resetting Water Filter Display”).

When it is time to change the water filter again, the reminder for the Water Filter Display  will appear in the display.

After inserting a new water filter, dispose of all ice cubes produced in the next 24 hours following the change.

Performance Data Sheet

Model: Miele 07134220

Use Replacement Cartridge 07134220

The concentration of the indicated substances in water entering the system was reduced to a concentration less than or equal to the permissible limit for water leaving the system as specified in NSF/ANSI Standard 42 and Standard 53.



System tested and certified by NSF International against NSF/ANSI Standard 42 and Standard 53 for the reduction of the claims specified on the Performance Data Sheet.

Capacity 739.68 Gallons (2800 Liters)

Contaminant Reduction Determined by NSF testing.

Substance Reduction	Average Influent	NSF specified Challenge Concentration	Avg % Reduction	Average Product Water Concentration	Max Permissible Product Water Concentration	NSF Reduction Requirements	NSF Test Report
Chlorine Taste and Odor	2.1 mg/L	2.0 mg/L ± 10%	97.6%	0.05 mg/L	N/A	≥ 50%	J-00121313
Nominal Particulate Class I, ≥0.5 to < 1.0 µm	9,100,000 pts/mL	At least 10,000 particles/mL	98.8%	111,817 pts/ml	N/A	≥85%	J-00099871
Cyst*	170,000 cysts/L	Minimum 50,000 cysts/L	99.99%	0.001 cyst/L	N/A	≥99.95%	J-00109715

* Based on the use of *Cryptosporidium parvum* oocysts

FOR RESIDENTIAL USE ONLY

Application Guidelines/Water Supply Parameters

Service Flow	0.75 gpm (2.83 lpm)
Water Supply	Potable Water
Water Pressure	30 - 120 psi (207 - 827 kPa)
Water Temperature	33°F - 100°F (0.6°C - 38°C)

It is essential that the manufacturer's recommended installation, maintenance and filter replacement requirements be carried out for the product to perform as advertised. See Installation Manual for Warranty information.

Note: While the testing was performed under standard laboratory conditions, actual performance may vary.

Replacement Cartridge: 07622430

For estimated costs of replacement elements please contact your local dealer, go to www.miele-shop.com or call Tel. 0180 31 31 340 (€ 0,09/Min.).

3M is a trademark of 3M Company used under license.

NSF is a trademark of NSF International.

© 2017 3M Company. All rights reserved.

34-8721-1445-8

WARNING

Read entire manual. Failure to follow all guides and rules could cause personal injury or property damage.

- Check with your local public works department for plumbing codes. You must follow their guidelines as you install the water filtration system.
- Your water filtration system will withstand up to 120 pounds per square inch (psi) water pressure. If your water supply pressure is higher than 80 psi, install a pressure reducing valve before installing the water filtration system.

To reduce the risk associated with the ingestion of contaminants:

- DO NOT use with water that is microbiologically unsafe or of unknown quality without adequate disinfection before or after the system. Systems certified for cyst reduction may be used on disinfected water that may contain filterable cysts.

NOTICE

To reduce the risk associated with water leakage or flooding:

- Read and follow Use Instructions before installation and use of this system.
- Change the disposable filter cartridge every six months or sooner if you observe a noticeable reduction in water flow rate.
- Failure to replace the disposable filter cartridge at recommended intervals may lead to reduced filter performance and failure of the filter, causing property damage from water leakage or flooding.
- For questions or concerns, please contact Customer Service at Tel. 0180 31 31 340 (€0,09/Min.).

Manufactured by:
3M Purification Inc.
3130 Lexington Avenue South,
Eagan, MN 55121

Water filter

Lead-free certificate



This product F 2411 Vi/SF, F 28x1 Vi/SF, F 29x1 Vi/SF is tested and certified by WQA against NSF/ANSI 372 for “lead free” compliance.

Miele & Cie. KG
Carl-Miele-Strasse 29
D-33332 Gütersloh

Contact in case of fault

In the event of a fault which you cannot remedy yourself, please contact your Miele dealer or Miele Technical Service.

Contact information for Miele Technical Service can be found at the end of this document.

Please quote the model and serial number of your appliance when contacting Miele. Both pieces of information can be found on the data plate.

You will find the data plate inside your appliance.

Warranty

For more information about warranty conditions, please contact Miele Technical Service.

Declaration of conformity

Miele hereby declares that this freezer complies with Directive 2014/53/EU.

Frequency band	2,412 GHz – 2,462 GHz
----------------	--------------------------

Maximum transmitting power	< 100 mW
----------------------------	----------

Copyrights and licenses

Miele uses their own and third party software which is not subject to any so-called open source license for the operation and control of the device/appliance. This software/these software components are protected by copyright. The copyright powers of Miele and third parties have to be respected.

Furthermore, this device/appliance contains software components which are distributed under open source license conditions. Please refer to the document “Open Source Information and Licenses” for the Open Source components contained therein, together with the corresponding copyright notices, copies of the licensing conditions valid at the time, and any further information. The liability and warranty provisions of the open source licensing conditions as stated therein apply only in relation to the respective rights holders.

In particular, the device/appliance contains software components licensed by the copyright holders under the GNU General Public License, Version 2, or the GNU Lesser General Public License, Version 2.1. For a period of at least 3 years from the date of purchase or delivery of the device/appliance respectively, Miele offers to provide you or third parties with a machine-readable copy of the source code of the Open Source components contained in the device/appliance and licensed under the terms of the GNU General Public License, Version 2, or the GNU Lesser General Public License, Version 2.1, on a data carrier (CD-ROM, DVD or USB stick). Please contact us via e-mail (info@miele.com) or the below postal address and state the product name, the serial number and the date of purchase to obtain this source code.

Miele & Cie. KG
Open Source
GTZ/TIM
Carl-Miele-Straße 29
33332 Gütersloh

Please note the limited warranty in favor of the rights holders under the terms of the GNU General Public License, Version 2, and the GNU Lesser General Public License, Version 2.1:

This program is distributed in the hope that it will be useful, but WITHOUT ANY WARRANTY, without even the implied warranty of MERCHANTABILITY of FITNESS FOR A PARTICULAR PURPOSE. See the GNU General Public License and GNU Lesser General Public License for more details.

**Please have the model and serial number
of your appliance available when
contacting Technical Service.**

The Miele logo consists of the word "Miele" in a bold, white, serif font, set against a solid black rectangular background.

U.S.A.

Miele, Inc.

National Headquarters

9 Independence Way
Princeton, NJ 08540
Phone: 800-843-7231
Fax: 609-419-4298
www.mieleusa.com

Technical Service & Support

Phone: 800-999-1360
Fax: 888-586-8056
TechnicalService@mieleusa.com

International Headquarters

Miele & Cie. KG
Carl-Miele-Straße 29
33332 Gütersloh
Germany

Canada

**Importer
Miele Limited**

Headquarters and Miele Centre

161 Four Valley Drive
Vaughan, ON L4K 4V8
www.miele.ca

Customer Care Centre

Phone: 800-565-6435
905-532-2272
customercare@miele.ca

F 2411 Vi, F 2801 Vi, F 2811 Vi, F 2901 Vi, F 2911 Vi